

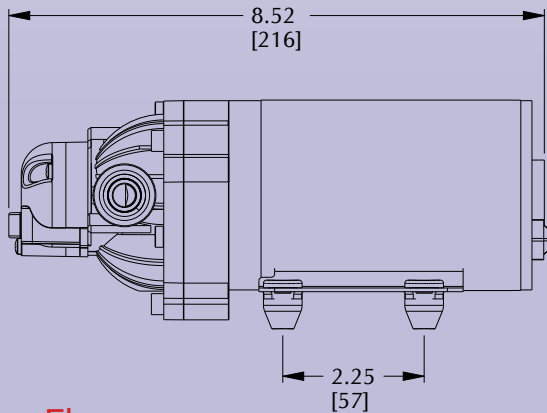
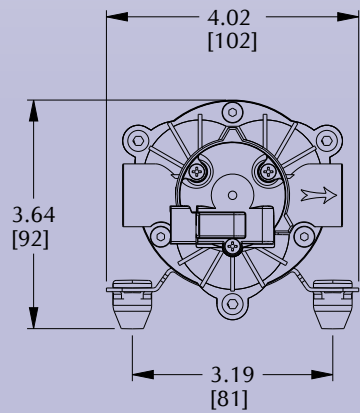
## 2.2 GPM PUMP SPECS



- Polypropylene pump housing and valve plate
- Viton® Valves - Santoprene® Diaphragm
- Zinc Plated Steel fasteners
- Painted Steel 3" Motor Shell
- MICRO SWITCH™
- Inline Fuse Protection
- 3/8" FNPT & QA Port Option
- 70 PSI (4.8 Bar) Max
- 2.2 GPM (8.3 LPM) Max
- Approved for use with **Roundup®** Agricultural Brand Herbicides
- Self Priming to 8 Feet
- Max Fluid Temp 140 Deg. F
- 12V DC
- 8.0 Max Amps
- CE Approved
- 4.8 lbs Dry

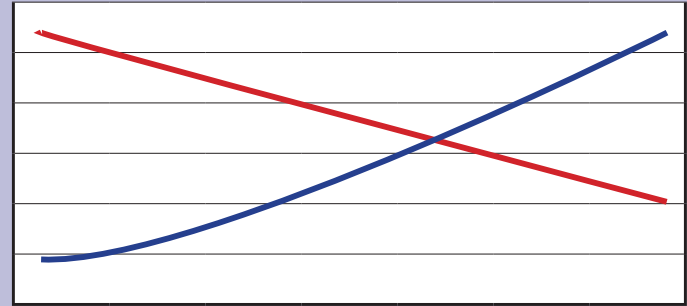


MODEL	DESCRIPTION	PORTS	PACKAGING	UPC
EF2200	2.2 GPM 12 Volt Diaphragm Pump - Bulk	3/8" FNPT	Bulk	N/A
EF2200-BC	2.2 GPM 12 Volt Diaphragm Pump - Barcoded	3/8" FNPT	Bulk/BC	81448501343-7
EF2200-QA	2.2 GPM 12 Volt Diaphragm Pump - Quick Attach	QA Port	Bulk	N/A
EF2200-BOX	2.2 GPM 12 Volt Diaphragm Pump - Boxed	3/8" FNPT	Boxed	81448501040-5
EF2200-QA-BOX	2.2 GPM 12 Volt Diaphragm Pump - Box/Quick Attach	QA Port	Boxed	81448501378-9
EF2000-KIT	2.2 GPM Replacement Head, Fully Assembled	3/8"FNPT	Boxed	81448501338-3



Pressure PSI/Bar	Current (Amps)	Flow GPM/LPM
0/0	4.2	2.20/8.33
10/.7	4.8	2.00/7.57
20/1.4	5.4	1.84/6.97
30/2.1	6.1	1.69/6.40
40/2.8	6.6	1.58/5.98
50/3.4	7.3	1.48/5.60
60/4.1	7.8	1.35/5.11

Flow  
(GPM)  
2.25  
2.00  
1.75  
1.50  
1.25  
1.00



Current  
(AMPS)  
8.00  
7.00  
6.00  
5.00  
4.00  
3.00

0 10 20 30 40 50 60 PSI