

03 Diaphragm Pumps

MOTOR DRIVEN



LF Plus Series



FOR INTERNATIONAL & US MARKETS

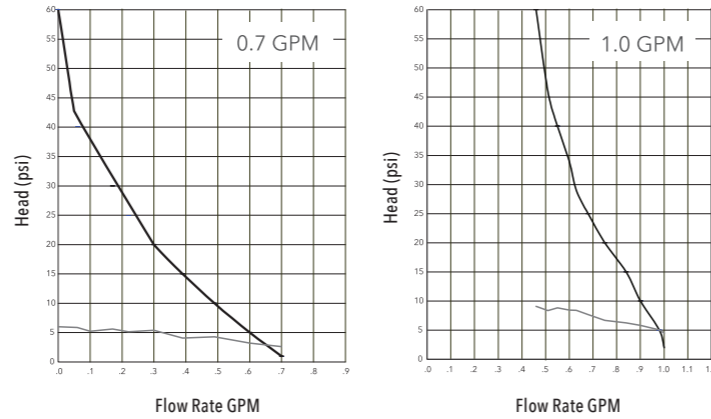
These pumps are the ideal solution for many applications including spraying, fluid transfer, filtration, cooling, dispensing and pressure boosting.

FEATURES

- Sealed pressure switch automatically starts and stops pump when discharge valve opens and closes
- Self-priming so pump can be located above supply tank
- Can run dry for extended periods of time without damage
- Built-in thermal protector
- Low amp draw for battery-powered applications
- Optional sealed motor with protective metal cooling finned cover

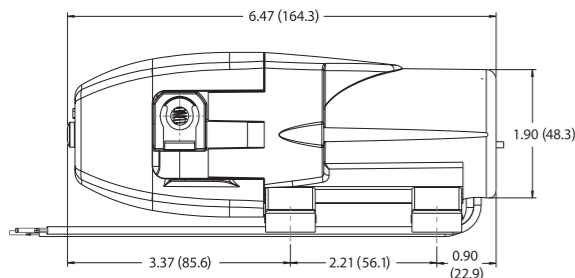
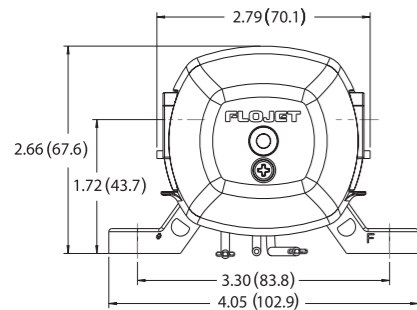


PERFORMANCE



DIMENSIONAL DRAWINGS

Unless otherwise stated, dimensions are in inches and (mm).



SPECIFICATIONS

PUMP DESIGN	Reciprocating diaphragm
VOLTAGE**	12V DC, 24V DC, 115V AC
MAX FLOW RATE	0.6 GPM (2.3 LPM)–1 GPM (3.8 LPM)
DUTY CYCLE	Intermittent
MAX PRESSURE	40 psi (2.8 bar) when no pressure switch is present
PRESSURE SWITCH SETTING**	40 psi (2.8 bar) off, 25 psi (1.7 bar) on
SELF-PRIMING	Vertical height 30" (76cm)
PORTS*	Quick connect barb 1/4" (6mm) and 3/8" (10mm); John Guest/quick fit 1/4" (6mm) and 3/8" (10mm) straight and elbow available
HOUSING	Polypropylene
CHECK VALVE SPRING	Stainless steel
LIQUID TEMPERATURE RANGE	36°F (2°C) to 110°F (43°C)

IOM #81000-230

* See accessories section

** See table

MODELS

MODEL #	CE	VOLTAGE	OPEN FLOW	SWITCH	BYPASS	MAX AMP DRAW	DIAPHRAGM	CHECK VALVE	PORTS
LFP521002	No	115V AC	0.7 GPM (2.6 LPM)	No	No	0.3A	EP/PP blend	EPDM	Quick disconnect 3/8" (10mm) HB straight
LFP521402	No	115V AC	0.7 GPM (2.6 LPM)	40 psi (2.8 bar)	No	0.3A	EP/PP blend	EPDM	Quick disconnect 3/8" (10mm) HB straight
LFP521401	No	115V AC	0.7 GPM (2.6 LPM)	40 psi (2.8 bar)	No	0.3A	EP/PP blend	FKM	Quick disconnect 3/8" (10mm) HB straight
LFP521401	No	12V DC	0.7 GPM (2.6 LPM)	40 psi (2.8 bar)	55 psi (3.8 bar)	2A	EP/PP blend	FKM	Quick disconnect 3/8" (10mm) HB straight
LFP122201	RLFP122201	12V DC	1 GPM (3.8 LPM)	35 psi (2.4 bar)	No	3.5A	EP/PP blend	FKM	Quick disconnect 3/8" (10mm) HB straight
LFP122005	No	12V DC	1 GPM (3.8 LPM)	No	No	3.5A	Buna/PP blend	FKM	Quick disconnect 3/8" (10mm) HB straight
LFP122202	RLFP122202	12V DC	1 GPM (3.8 LPM)	35 psi (2.4 bar)	No	3.5A	EP/PP blend	EPDM	Quick disconnect 3/8" (10mm) HB straight
LFP122201	RLFP122201	12V DC	1 GPM (3.8 LPM)	35 psi (2.4 bar)	No	3.5A	EP/PP blend	FKM	Quick disconnect 3/8" (10mm) HB straight
LFP121421	RLFP121421	12V DC	0.7 GPM (2.6 LPM)	40 psi (2.8 bar)	55 psi (3.8 bar)	2A	EP/PP blend	FKM	Quick disconnect 3/8" (10mm) HB straight
LFP222002	RLFP222002	24V DC	1 GPM (3.8 LPM)	No	No	2A	EP/PP blend	EPDM	Quick disconnect 3/8" (10mm) HB straight
N/A	RLFP222202	24V DC	1 GPM (3.8 LPM)	35 psi (2.4 bar)	No	2A	EP/PP blend	EPDM	Quick disconnect 3/8" (10mm) HB straight
N/A	RFLP222201	24V DC	1 GPM (3.8 LPM)	35 psi (2.4 bar)	No	2A	EP/PP blend	FKM	Quick disconnect 3/8" (10mm) HB straight
N/A	RFLP221422	24V DC	0.7 GPM (2.6 LPM)	40 psi (2.8 bar)	55 psi (3.8 bar)	2A	EP/PP blend	EPDM	Quick disconnect 3/8" (10mm) HB straight

Additional pump models are available. Alternate barb sizes and tubing connection configurations are available. Please contact us if you do not see what you are looking for.