

HYPRO® ProStop-E™

Individual Nozzle Control for Precision Agriculture

Features & Benefits

- Control spray activation directly on Hypro ProFlo nozzle bodies
- Instantaneous on-off control with 12 volt actuation eliminates misapplication and waste
- Eliminates the need for centralized valve banks allowing on/off control at the nozzle body for individual or small section control
- Two actuation mode options:
 - Simple, 3-wire, 12 volt on/off actuation
 - Operate as an individually addressed valve on a CAN bus/ISO bus system
- Robust, quarter-turn electric ball valves are highly reliable as compared to solenoid and plunger valves
- Innovative locking collar mechanism allows for easy adjustments to valve orientation on the nozzle body
- Extremely low continuous power consumption
- High flow capacity in a compact valve design



Instantaneous on-off control supports Precision Agriculture strategies.



On-off control at the nozzle eliminates section control and increases precision application.



Daisy chain connections between valves utilizes industry standard M12 cordsets for IP67 rating.

ProStop-E Valve



Part Number	Qty	Description
3305-0011	1	ProStop-E valve assembly fits all Hypro ProFlo nozzle bodies in place of the check valve.
4213-0504V	36	5-way ProFlo nozzle body with ProStop-E valve pre-assembled
PK-4223N-B524PSE	1	

ProStop-E Valve easily adapts directly to ProFlo single drop, 3-way/5-way and push-to-connect nozzle bodies in place of the traditional check valve. Valve and nozzle body must be ordered separately. See back for a list of popular nozzle bodies to choose from. More options are available, see Hypro's catalog for details.



Part # 4213-0504V



Order valve and nozzle body separately to create these configurations for testing/development purposes.

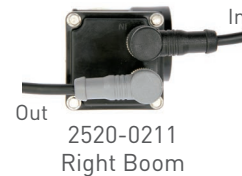
ProStop-E Cordsets



Part Number	Description
2520-0209	25" overmolded cordset with ultralock right angle connectors
2520-0210	25" overmolded cordset with threaded plastic right angle M12 connectors - Left Boom*
2520-0211	25" overmolded cordset with threaded plastic right angle M12 connectors - Right Boom*
2300-0067	Termination Plug

Black-in; Grey-out, Other custom length cord sets available upon request.

* Left and right boom are defined as the operator is sitting in the driver's seat of the equipment.

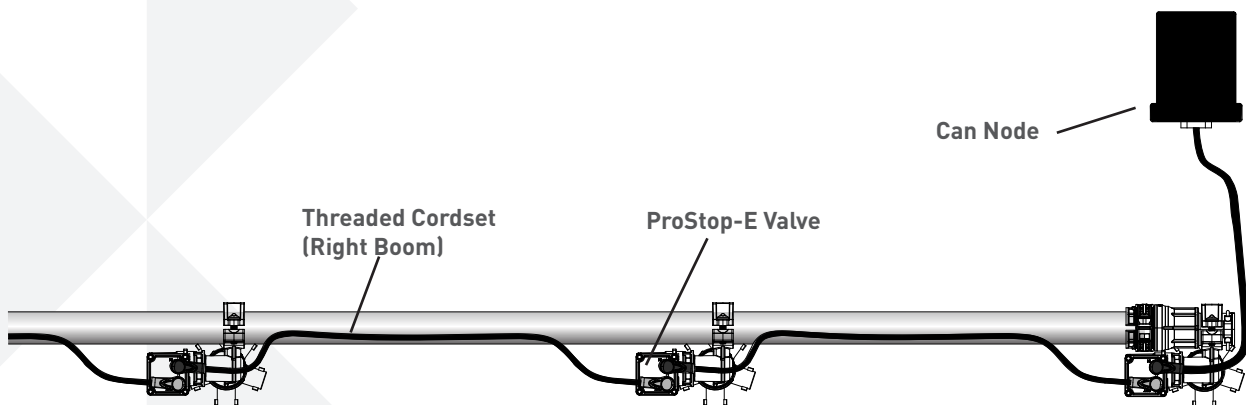


ProStop-E Can Node Development Kit



CAN bus/ISO bus node is required for CAN bus communication. The node auto addresses each valve on the segment up to 16.

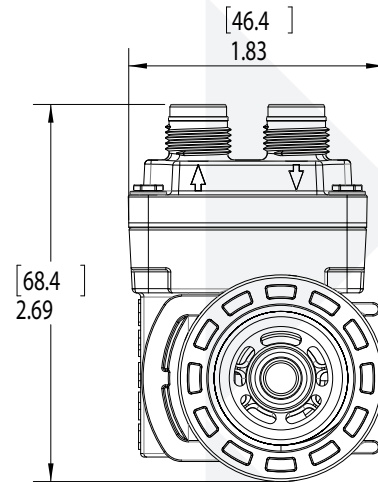
CAN bus/ISO bus node is available from the factory for development purposes. Please contact your local sales rep for details. Contact factory with production requirements



Daisy chain connections between valves offer a simple and clean set-up for individual nozzle control without excessive cabling required.

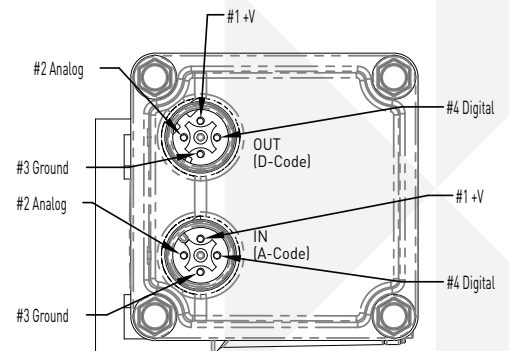
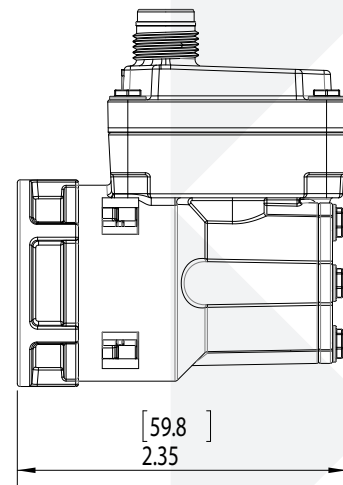
Performance

- Environmental extreme (non-functioning): -40°C to 82°C (-40°F to 180°F)
- Environmental functional operational: 1.6°C to 48°C (35°F to 120° F)
- Ingress protection rating: IP67
- Max opening pressure: 10 Bar (150 PSI)
- Burst pressure: 20 Bar (290 PSI)
- Reaction Time (Close to open):
 - 180 milliseconds @ 250mA
 - Continuous (running state) 30mA
- Voltage range: 9 to 16 VDC
- Flow characteristics when installed on ProFlo nozzle body:
 - 7.57 LPM @ 0.34 Bar (2.0 GPM @ 5 PSI Pressure Drop)



Physical Properties

- Dimensions: 59.8mm x 46.4mm x 68.4mm (2.35 in x 1.83 in x 2.69 in)
- Valve mounting: Fits all HYPRO nozzle bodies (ISO 228-G 3/4 threads)
- Materials: FKM, Nylon, Viton, Stainless Steel
- Electrical connection: M12
- Weight : 227g (0.5 lbs) on 5-way nozzle body



ProStop-E Valve works with the following ProFlo nozzle bodies. More options are available, see Hypro's catalog for details.



3 and 5-Way Nozzle Bodies for Wet Boom (no tab for boom clamp)

Seal Option/ Housing Reference	Turret Options	(to clamp on) Pipe Size				
		1/2"	3/4"	1"	20mm	25mm
EPDM/Red	3	4223N-B322	4223N-B323	4223N-B324	4223N-B327	4223N-B328
	5	4223N-B522	4223N-B523	4223N-B524	4223N-B527	4223N-B528
Viton/Green	3	4223N-B322V	4223N-B323V	4223N-B324V	4223N-B327V	4223N-B328V
	5	4223N-B522V	4223N-B523V	4223N-B524V	4223N-B527V	4223N-B528V

Sold in Quantities of 100; Sold as single units through HYPRO-EU only (Cambridge,UK)
For Individual Bags, Add Suffix -00 (i.e.: 4223N-B322-00)



Single Drop Nozzle Body for Wet Boom

Seal Option/ Housing Reference	(to clamp on) Pipe Size				
	1/2"	3/4"	1"	20mm	25mm
EPDM/Red	4221N-B122	4221N-B123	4221N-B124	4221N-B127	4221N-B128
Viton/Green	4221N-B122V	4221N-B123V	4221N-B124V	4221N-B127V	4221N-B128V

Acid resistant polypropylene available with 1" clamp and EPDM Seal. part number: 402265P
1/4" FNPT Outlet- Substitute B with F (i.e.: 4221N-F122)
Sold in Quantities of 300; Sold as single units through HYPRO-EU only (Cambridge,UK)
For Individual Bags, Add Suffix -00 (i.e.: 4221N-B122-00)



Push-to-Connect Nozzle Bodies

Type	Push-to-Connect (PTC) Nozzle Body Part Numbers				
	DCV	4 PSI (.28 BAR)		8PSI (.55 BAR)	
		Size	25 Std. Pack	1 Per Bag	25 Std. Pack
PTC to Bayonet	1/4"	4247N-B119	BG-4247N-B119	4247N-B129	BG-4247N-B129
	3/8"	4247N-B111	BG-4247N-B111	4247N-B121	BG-4247N-B121
PTC to PTC	1/4"	4247N-C119	BG-4247N-C119	4247N-C129	BG-4247N-C129
	3/8"	4247N-C111	BG-4247N-C111	4247N-C121	BG-4247N-C121



Hose Barb Dry Boom Nozzle Bodies-with Top-Mounted DCV

Seal Options/ Housing Reference	Single hose barb P/N	Double hose barb P/N	Hose ID	
			US Units	Metric Units
EPDM/Red	4240N-B121S	4240N-B121D	3/8"	10 mm
	4240N-B122S	4240N-B122D	1/2"	13 mm
	4240N-B123S	4240N-B123D	3/4"	19 mm

Add Prefix "BG-" for 1 part per retail bag.



Hose Barb Dry Boom Nozzle Bodies-with DCV

Seal Options/ Housing Reference	Single hose barb P/N	Double hose barb P/N	Triple hose barb P/N	Hose ID	
				US Units	Metric Units
EPDM/Red	4241N-B121S	4241N-B121D	4241N-B121T	3/8"	10 mm
	4241N-B122S	4241N-B122D	4241N-B122T	1/2"	13 mm
	4241N-B123S	4241N-B123D	4241N-B123T	3/4"	19 mm

Add Prefix "BG-" for 1 part per retail bag.



Single Nozzle Bodies with DCV

Seal Options/ Housing Reference	1/4" MNPT x 1/4" FNPT			1/4" MNPT x Bayonet		11/16" UNF x Bayonet	3/8" (10 mm) HB x Bayonet
	4 PSI (.28 BAR)	8 PSI (.55 BAR)	25 PSI (1.72 BAR)	4 PSI (.28 BAR)	8 PSI (.55 BAR)	8 PSI (.55 BAR)	8 PSI (.55 BAR)
EPDM/Red	4240N-F110	4240N-F120	4240N-F150	4240N-B010	4240N-B020	4241N-B120U	QT14-1-NDC
Viton/Green	4240N-F110V	4240N-F120V	4240N-F150V	4240N-B010V	4240N-B020V	-	-



375 5TH AVE NW, NEW BRIGHTON, MN 55112 WWW.HYPROPUMPS.COM
PH: 800-424-9776 ORDERS FAX: 800-323-6496

Because we are continuously improving our products and services,
Pentair reserves the right to change specifications without prior notice.

© 2013 Pentair Ltd. All Rights Reserved.



FORM 495 (04/15)
Printed in USA