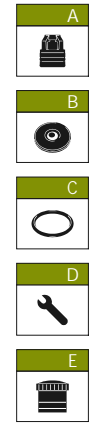
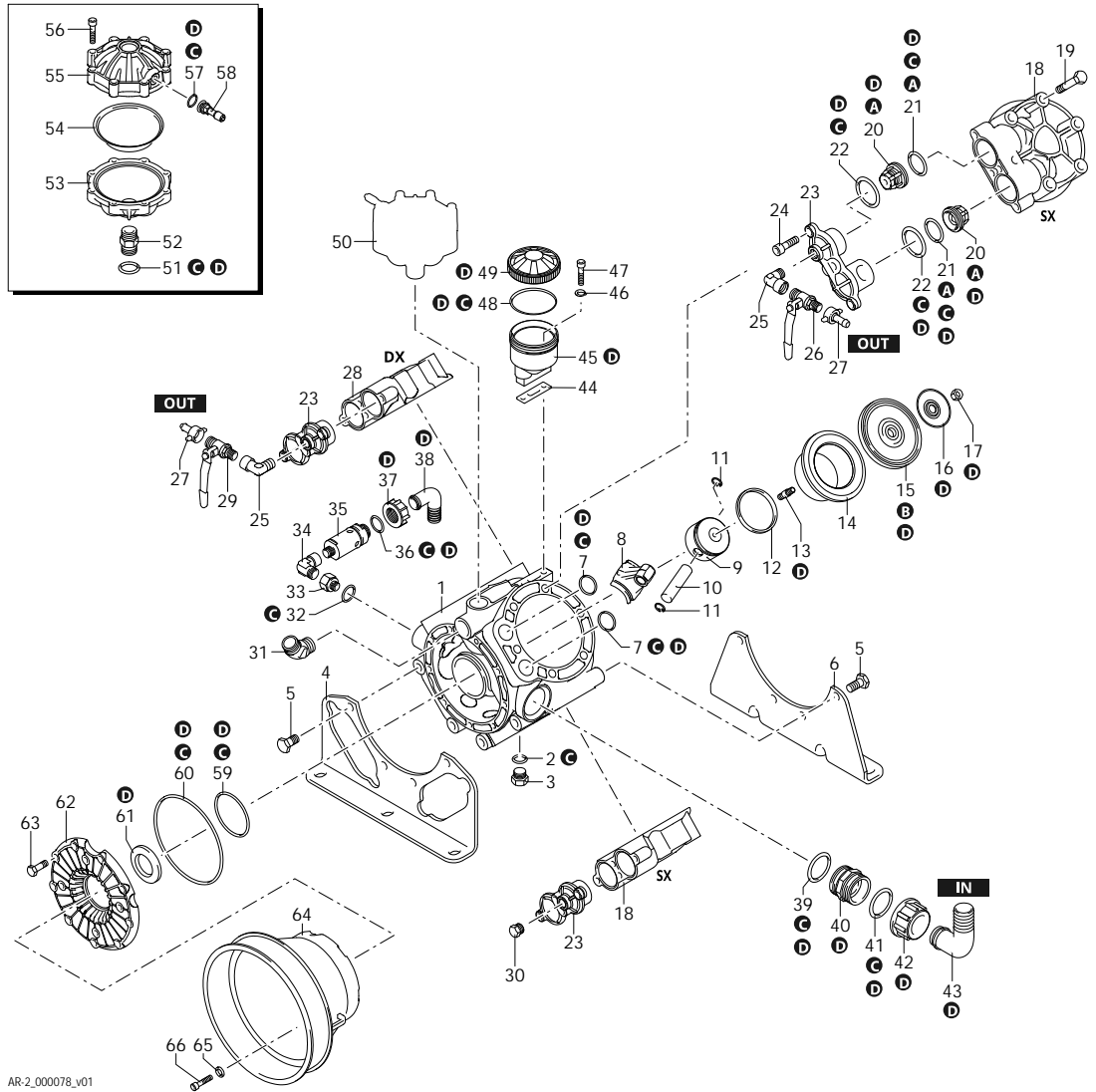




AR 1604

719 - 32122 - 718 - 32121 - 720 - 32123



| Code | Description | | Q | Note |
|------|-------------|----------------|----|---|
| 1 | 3920010 | Pump body | 1 | |
| 2 | 180101 | O-ring | 1 | Lubricate with motor oil |
| 3 | 820361 | Plug | 1 | 1/2" G brass |
| 4 | 3920030 | Foot | 1 | |
| 5 | 540210 | Screw | 8 | C=50Nm |
| 6 | 3920040 | Foot | 1 | |
| 7 | 1520650 | O-ring | 8 | Lubricate with motor oil |
| 8 | 3920020 | Connecting-rod | 4 | bronze |
| 9 | 2240060 | Piston | 4 | Ø 72 |
| 10 | 260700 | Pin | 4 | |
| 11 | 160691 | Ring | 8 | seeger Øi 18 |
| 12 | 260230 | Piston ring | 4 | |
| 13 | 2240100 | Hub pin | 4 | C=30Nm / Loxeal 83-21 |
| 14 | 2680020 | Flange | 4 | |
| 15 | 550080 | Diaphragm | 4 | NBR - Øe 115 |
| 15 | 550081 | Diaphragm | 4 | BlueFlex - Øe 115 |
| 15 | 550085 | Diaphragm | 4 | Desmopan - Øe 115 |
| 15 | 550086 | Diaphragm | 4 | HPDS - Øe 115 |
| 16 | 580090 | Plate | 4 | |
| 17 | 2240110 | Nut | 4 | M10 C=25Nm |
| 18 | 2680031 | Head | 2 | sx |
| 19 | 750070 | Screw | 24 | C=50Nm |
| 20 | 2689050 | Valve | 8 | |
| 21 | 180240 | O-ring | 8 | Ø 31,34x3,53 |
| 22 | 2680150 | O-ring | 8 | Ø 42,52x2,62 Lubricate with motor oil |
| 23 | 2680040 | Cover | 4 | |
| 24 | 540300 | Screw | 16 | C=40Nm |
| 25 | 900210 | Fitting | 2 | Loxeal 83-21 |
| 26 | 130491 | Valve | 1 | 3/8" G - 1/2" G (M-M) C=20Nm / Loxeal 55-14 |
| 27 | 110131 | Ring nut | 2 | 1/2" G |
| 28 | 2680030 | Head | 2 | dx |
| 29 | 130492 | Valve | 1 | 3/8" G - 1/2" G (M-M) C=20Nm / Loxeal 55-14 |
| 30 | 130171 | Plug | 2 | C=20Nm / Loxeal 55-14 |
| 31 | 851650 | Elbow | 1 | Loxeal 55-14 |
| 32 | 720030 | O-ring | 1 | Ø 22,22x2,62 Lubricate Molykote G-807 |
| 33 | 2660060 | Fitting | 1 | |
| 34 | 2680310 | Fitting | 1 | Loxeal 55-14 |
| 35 | 1609002 | Safety valve | 1 | 50 bar C=10Nm / Loxeal 24-18 |
| 36 | 880831 | O-ring | 1 | Ø 15,54x2,62 Viton Lubricate Molykote G-807 |
| 37 | 550450 | Ring nut | 1 | 3/4" G |
| 38 | 550460 | Elbow | 1 | Ø 18 |
| 39 | 751140 | O-ring | 1 | Ø 47,22x3,53 Lubricate with motor oil |
| 40 | 751130 | Fitting | 1 | 1"1/2 G (M-M) C=10Nm |
| 41 | 390290 | O-ring | 1 | Ø 29x3 Lubricate Molykote PG54 |
| 42 | 750670 | Ring nut | 1 | 1" 1/2 G |
| 43 | 50267 | Elbow | 1 | Ø 40 |
| 44 | 750040 | Gasket | 1 | Seal with Arexons Mastic |
| 45 | 750030 | Tank | 1 | |

AR-2_000078_v01

- AR 1604 AP C/SP - NBR • 719
- AR 1604 AP C/SP - BlueFlex • 32122
- AR 1604 AP C/C - NBR • 718
- AR 1604 AP C/C - BlueFlex • 32121
- AR 1604 AP C/F Ø 1"3/8 - NBR • 720
- AR 1604 AP C/F Ø 1"3/8 - BlueFlex • 32123

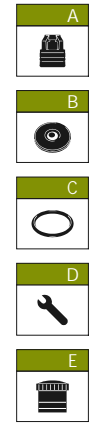
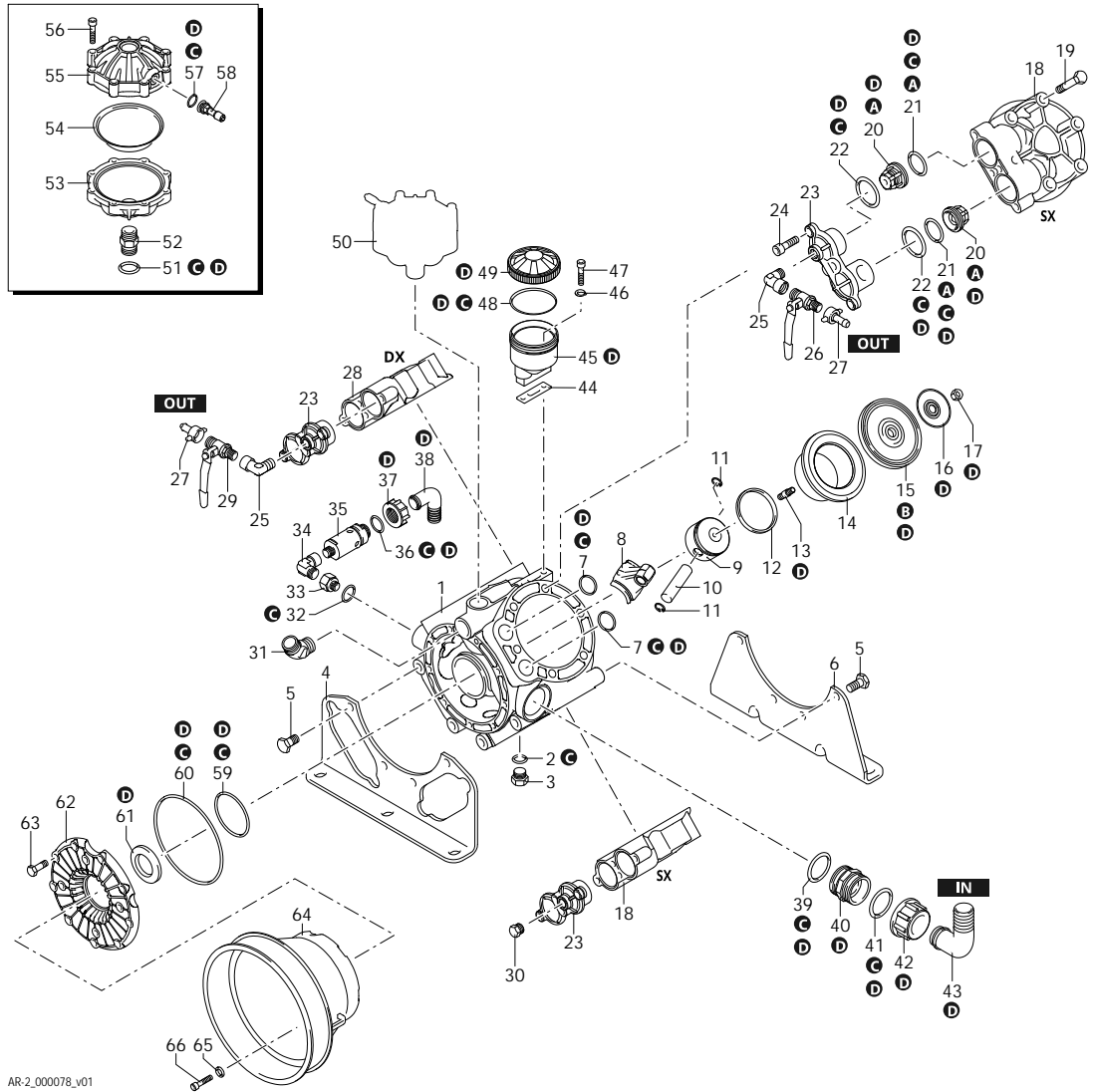


Revision: 1
Date: 07/02/2023



AR 1604

719 - 32122 - 718 - 32121 - 720 - 32123



| Code | Description | Q | Note |
|------|------------------------------|---|--|
| 46 | 380241 Washer | 2 | |
| 47 | 680350 Screw | 2 | C=10Nm |
| 48 | 1040060 O-ring | 1 | Ø 72,69x2,62 Lubricate Molykote Longterm W2 |
| 49 | 750050 Plug | 1 | red |
| 50 | 1527 Air chamber | 1 | NBR |
| 50 | 43071 Air chamber | 1 | BlueFlex |
| 51 | 720030 O-ring | 1 | Ø 22,22x2,62 Lubricate Molykote G-807 |
| 52 | 2240490 Fitting | 1 | C=20Nm / Loxeal 24-18 |
| 53 | 2240481 Semi air chamber | 1 | lower Loxeal 83-21 |
| 54 | 550190 Diaphragm | 1 | NBR - Øe 110 |
| 54 | 550194 Diaphragm | 1 | BlueFlex - Øe 110 |
| 55 | 620234 Semi air chamber | 1 | upper |
| 56 | 380410 Screw | 8 | C=20Nm |
| 57 | 650542 Gasket | 1 | Lubricate with motor oil |
| 58 | 180020 Air valve | 1 | C=3Nm / Loxeal 55-14 |
| 59 | 2240270 O-ring | 1 | Ø 26,65x2,62 Lubricate with motor oil |
| 60 | 1400120 O-ring | 1 | Ø 145,72x2,62 Lubricate with motor oil |
| 61 | 2680110 Ring | 1 | seal |
| 62 | 2680050 Line | 1 | intake |
| 63 | 180370 Screw | 9 | C=20Nm |
| 64 | 1500470 Cardan protection | 1 | ø 239 mm |
| 65 | 390311 Washer | 4 | |
| 66 | 820670 Screw | 4 | C=10Nm |
| A | 42941 Valve kit | 1 | |
| B | 2371 Diaphragms kit | 1 | NBR |
| B | 43086 Diaphragms kit | 1 | BlueFlex |
| B | 2373 Diaphragms kit | 1 | Desmopan |
| B | 2372 Diaphragms kit | 1 | HPDS |
| C | 42942 O-ring kit | 1 | |
| D | 42943 Maintenance repair kit | 1 | NBR |
| E | 47197 Tank kit | 1 | |

AR-2_000078_v01

- AR 1604 AP C/SP - NBR • 719
- AR 1604 AP C/SP - BlueFlex • 32122
- AR 1604 AP C/C - NBR • 718
- AR 1604 AP C/C - BlueFlex • 32121
- AR 1604 AP C/F Ø 1"3/8 - NBR • 720
- AR 1604 AP C/F Ø 1"3/8 - BlueFlex • 32123

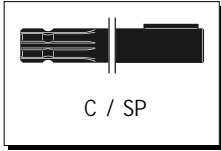


Revision: 1
Date: 07/02/2023

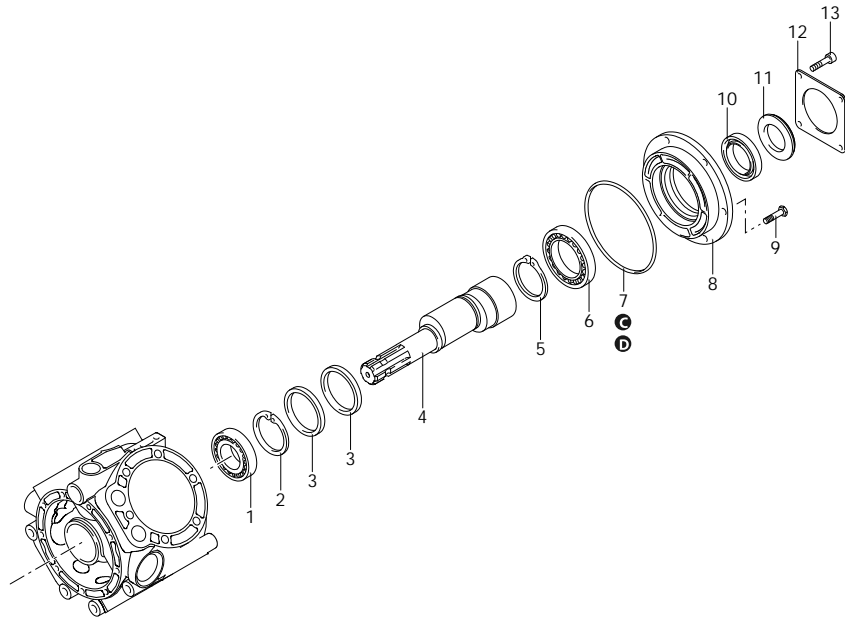


AR 1604

719 - 32122 - 718 - 32121 - 720 - 32123



C / SP



| Code | Description | Q | Note |
|------|------------------------------|---|----------------|
| 1 | 751280 Bearing | 1 | Press Mount |
| 2 | 230340 Ring | 1 | seeger Øi 80 |
| 3 | 2240540 Ring | 2 | Connecting-rod |
| 4 | 2680270 Shaft | 1 | CM marked |
| 5 | 2680290 Ring | 1 | seeger Øe 65 |
| 6 | 2680340 Bearing | 1 | |
| 7 | 1400120 O-ring | 1 | Ø 145,72x2,62 |
| 8 | 2680240 Flange | 1 | |
| 9 | 160670 Screw | 6 | TE M10x25 |
| 10 | 1400150 Ring | 1 | seal |
| 11 | 1400110 Ring | 1 | |
| 12 | 1400140 Flange | 1 | |
| 13 | 820670 Screw | 4 | TCEI M10x16 |
| A | 42941 Valve kit | 1 | |
| B | 2371 Diaphragms kit | 1 | NBR |
| B | 43086 Diaphragms kit | 1 | BlueFlex |
| B | 2373 Diaphragms kit | 1 | Desmopan |
| B | 2372 Diaphragms kit | 1 | HPDS |
| C | 42942 O-ring kit | 1 | |
| D | 42943 Maintenance repair kit | 1 | NBR |

AR-2_000079_v01

- AR 1604 AP C/SP - NBR • 719
- AR 1604 AP C/SP - BlueFlex • 32122
- AR 1604 AP C/C - NBR • 718
- AR 1604 AP C/C - BlueFlex • 32121
- AR 1604 AP C/F Ø 1"3/8 - NBR • 720
- AR 1604 AP C/F Ø 1"3/8 - BlueFlex • 32123



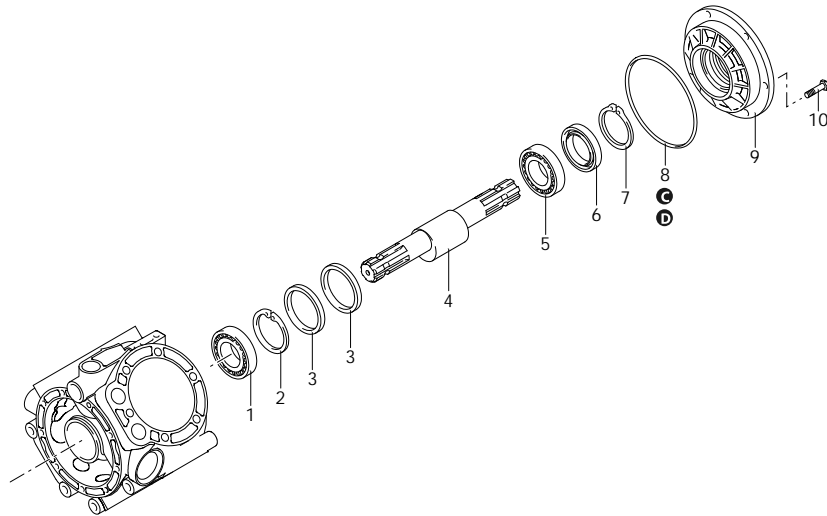
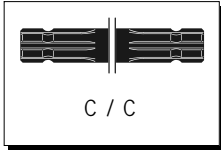
Revision: 1

Date: 07/02/2023



AR 1604

719 - 32122 - 718 - 32121 - 720 - 32123



| Code | | Description | Q | Note |
|------|---------|------------------------|---|---|
| 1 | 751280 | Bearing | 1 | Press Mount |
| 2 | 230340 | Ring | 1 | |
| 3 | 2240540 | Ring | 2 | Connecting-rod |
| 4 | 2680190 | Shaft | 1 | CC marked |
| 5 | 751280 | Bearing | 1 | Press Mount |
| 6 | 2680120 | Ring | 1 | seal Lubricate with Mineral Grease |
| 7 | 161050 | Ring | 1 | seeger Øi 72 |
| 8 | 1400120 | O-ring | 1 | Ø 145,72x2,62 Lubricate with motor oil |
| 9 | 2680020 | Flange | 1 | |
| 10 | 160670 | Screw | 6 | TE M10x25 C=40Nm |
| A | 42941 | Valve kit | 1 | |
| B | 2371 | Diaphragms kit | 1 | NBR |
| B | 43086 | Diaphragms kit | 1 | BlueFlex |
| B | 2373 | Diaphragms kit | 1 | Desmopan |
| B | 2372 | Diaphragms kit | 1 | HPDS |
| C | 42942 | O-ring kit | 1 | |
| D | 42943 | Maintenance repair kit | 1 | NBR |

AR-2_000080_v01

- AR 1604 AP C/SP - NBR • 719
- AR 1604 AP C/SP - BlueFlex • 32122
- AR 1604 AP C/C - NBR • 718
- AR 1604 AP C/C - BlueFlex • 32121
- AR 1604 AP C/F Ø 1"3/8 - NBR • 720
- AR 1604 AP C/F Ø 1"3/8 - BlueFlex • 32123



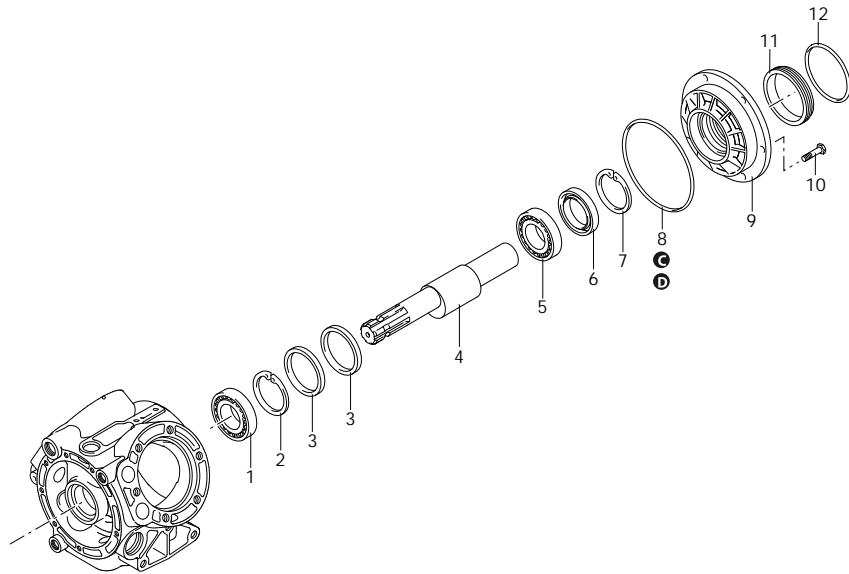
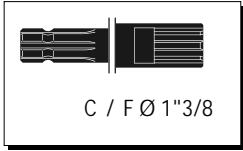
Revision: 1

Date: 07/02/2023



AR 1604

719 - 32122 - 718 - 32121 - 720 - 32123



| Code | Description | Q | Note |
|------|------------------------------|---|---|
| 1 | 751280 Bearing | 1 | Press Mount |
| 2 | 230340 Ring | 1 | seeger Øi 80 |
| 3 | 2240540 Ring | 2 | Connecting-rod |
| 4 | 2680220 Shaft | 1 | CD marked |
| 5 | 750920 Bearing | 1 | |
| 6 | 2680130 Ring | 1 | seal Lubricate with Mineral Grease |
| 7 | 161050 Ring | 1 | seeger Øi 72 |
| 8 | 1400120 O-ring | 1 | Ø 145,72x2,62 Lubricate with motor oil |
| 9 | 2680021 Flange | 1 | |
| 10 | 160670 Screw | 6 | TE M10x25 C=40Nm |
| 11 | 2420250 Ring | 1 | |
| 12 | 580230 O-ring | 1 | Ø 69,52x2,62 |
| A | 42941 Valve kit | 1 | |
| B | 2371 Diaphragms kit | 1 | NBR |
| B | 43086 Diaphragms kit | 1 | BlueFlex |
| B | 2373 Diaphragms kit | 1 | Desmopan |
| B | 2372 Diaphragms kit | 1 | HPDS |
| C | 42942 O-ring kit | 1 | |
| D | 42943 Maintenance repair kit | 1 | NBR |

AR-2_000081_v01

- AR 1604 AP C/SP - NBR • 719
- AR 1604 AP C/SP - BlueFlex • 32122
- AR 1604 AP C/C - NBR • 718
- AR 1604 AP C/C - BlueFlex • 32121
- AR 1604 AP C/F Ø 1"3/8 - NBR • 720
- AR 1604 AP C/F Ø 1"3/8 - BlueFlex • 32123



Revision: 1

Date: 07/02/2023