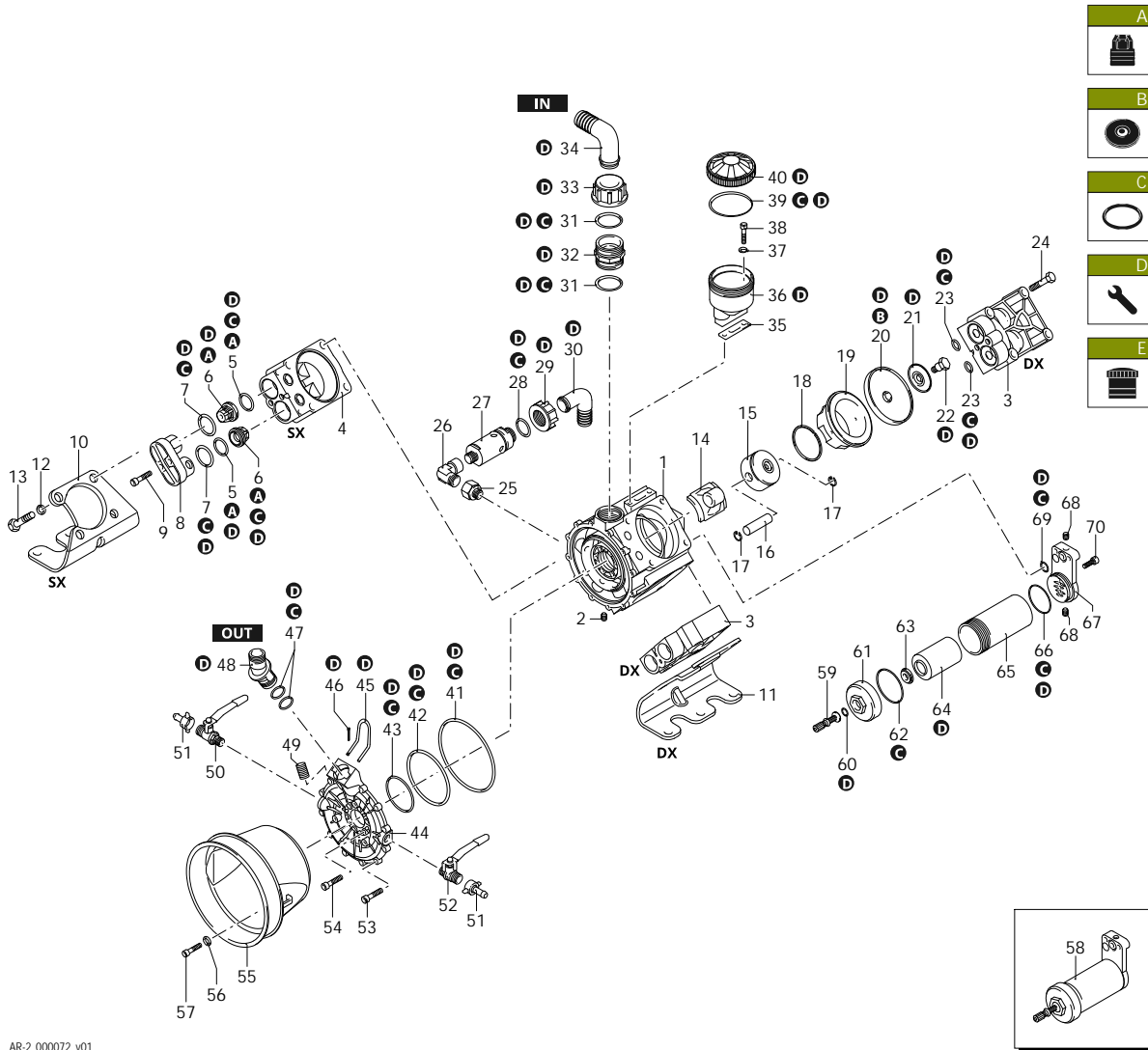




# AR 1064

730 - 32116 - 731 - 32115 - 732 - 32117



Code	Description	Q	Note
1	1820040 Pump body	1	
2	1820030 Screw	1	C=20Nm / Loxeal 83-21
3	1040551 Head	2	dx
4	1040552 Head	2	sx
5	620030 O-ring	8	Ø 25,80x3,53 Lubricate with motor oil
6	1409050 Valve	8	
7	540361 O-ring	8	Ø 33,05x1,78 Lubricate with motor oil
8	1300190 Plug	4	
9	620610 Screw	8	TCEI M8x30 C=20Nm
10	1820080 Foot	1	
11	1820070 Foot	1	
12	250141 Washer	8	
13	750060 Screw	8	TE M12x65 C=50Nm
14	1800050 Connecting-rod	4	
15	1040120 Piston	4	Ø 63
16	1040070 Pin	4	Lubricate with Mineral Grease
17	1040270 Ring	8	seeger Øi 15
18	650190 Piston ring	4	
19	1500080 Sleeve	4	
20	1040081 Diaphragm	4	NBR - Øe 105
20	1040083 Diaphragm	4	BlueFlex - Øe 105
20	1040080 Diaphragm	4	Desmopan - Øe 105
21	1040180 Plate	4	
22	580361 Hub pin	4	C=30Nm / Lubricate with P-40 Grease
23	960160 O-ring	8	Ø 17,86x2,62 Lubricate Molykote PG54
24	1480040 Screw	8	TE M12x60 C=50Nm
25	881461 Threaded adapter	1	3/8" G - 1/2" G C=20Nm / Loxeal 83-21
26	881560 Fitting	1	1/2" G (M-F) C=20Nm / Loxeal 83-21
27	1609002 Safety valve	1	50 bar C=10Nm / Loxeal 24-18
28	880831 O-ring	1	Ø 15,54x2,62 Viton Lubricate Molykote G-807
29	550450 Ring nut	1	3/4" G
30	550460 Elbow	1	Ø 18
31	250310 O-ring	2	Ø 36,14x2,62 Lubricate with motor oil
32	540530 Fitting	1	1*1/4 G - 1*3/4 G (M-M) C=20Nm
33	540540 Ring nut	1	1" 3/4 G
34	540550 Elbow	1	Ø 40
35	750040 Gasket	1	Seal with Arexons Mastic
36	750030 Tank	1	
37	380241 Washer	2	
38	680350 Screw	2	TCEI M8x35 C=10Nm
39	1040060 O-ring	1	Ø 72,69x2,62 Lubricate Molykote Longterm W2
40	1800060 Plug	1	black
41	1400120 O-ring	1	Ø 145,72x2,62 Lubricate with motor oil
42	1800161 O-ring	1	Ø 113,97x2,62 Viton Lubricate with motor oil
43	1040060 O-ring	1	Ø 72,69x2,62 Lubricate Molykote Longterm W2
44	1800150 Line	1	intake/delivery
45	1040690 Fork	1	
46	1040950 Split pin	1	

AR-2\_000072\_v01

- AR 1064 AP C/SP - NBR • 730
- AR 1064 AP C/SP - BlueFlex • 32116
- AR 1064 AP C/C - NBR • 731
- AR 1064 AP C/C - BlueFlex • 32115
- AR 1064 AP C/F Ø 1"3/8 - NBR • 732
- AR 1064 AP C/F Ø 1"3/8 - BlueFlex • 32117

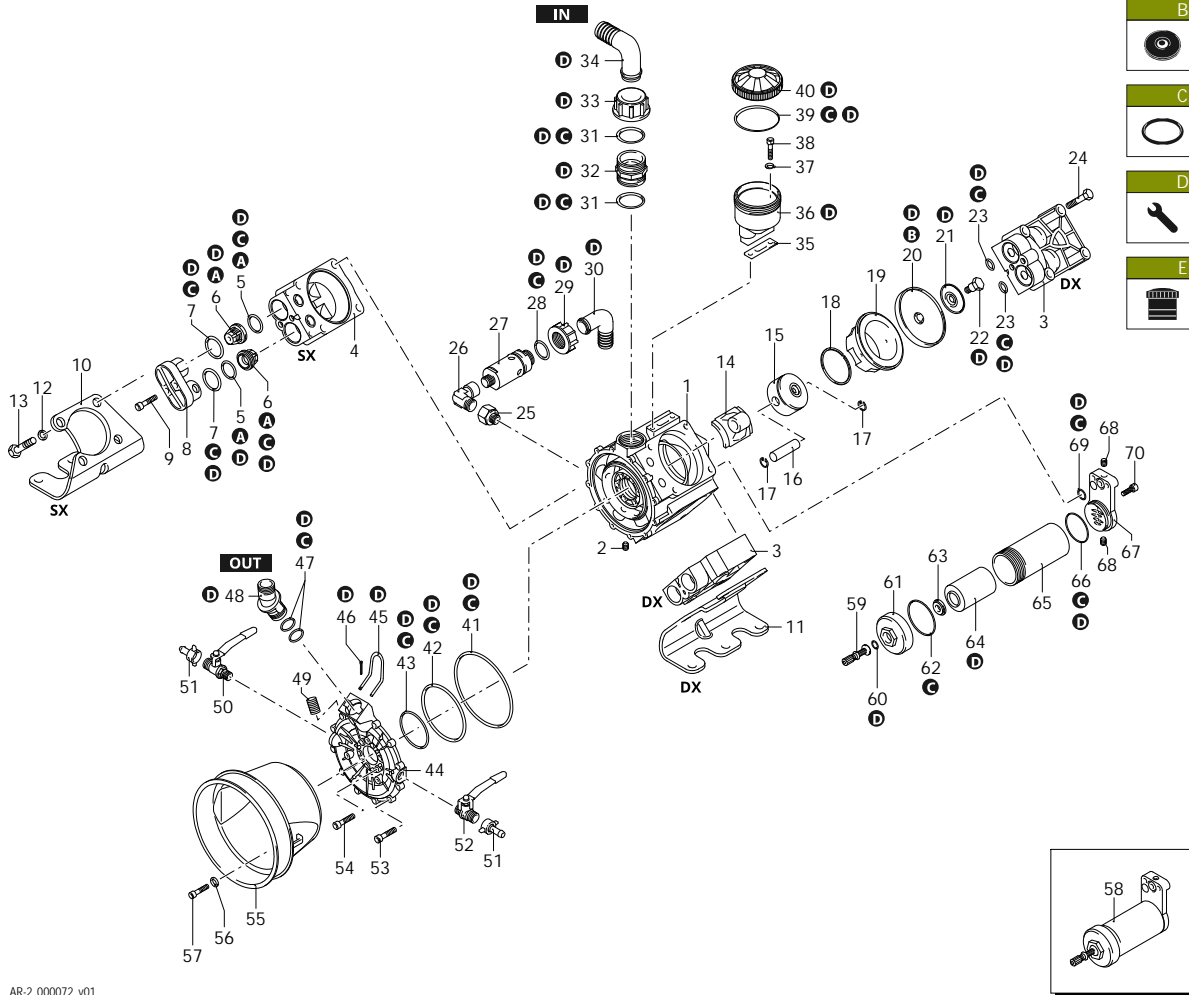


Revision: 1  
Date: 07/02/2023



# AR 1064

730 - 32116 - 731 - 32115 - 732 - 32117



Code	Description		Q	Note
47	390180 O-ring	Ø 18,72x2,62	2	Lubricate with motor oil
48	1040760 Fitting	3/4" G	1	
49	1800240 Screw		1	C=20Nm / Loxeal 55-14
50	130492 Valve	3/8" G - 1/2" G (M-M)	1	C=20Nm / Loxeal 55-14
51	110131 Ring nut	1/2" G	2	
52	130491 Valve	3/8" G - 1/2" G (M-M)	1	C=20Nm / Loxeal 55-14
53	1040370 Screw	TCEI M6x22	12	C=10Nm
54	780060 Screw	TCEI M6x25	6	C=10Nm
55	1500350 Cardan protection	ø 199 mm	1	
55	1500470 Cardan protection	ø 239 mm	1	
56	881710 Washer		3	
57	1343510 Screw	TCEI M6x14	3	C=10Nm
58	1538 Air chamber	NBR	1	
59	1800350 Air valve		1	C=4Nm / Loxeal 55-14
60	650542 Gasket		1	Lubricate with motor oil
61	1800270 Cover		1	Lubricate with motor oil
62	650560 O-ring	Ø 56,82x2,62	1	Lubricate with motor oil
63	1800311 Plate		1	
64	1800300 Diaphragm	NBR	1	
65	1800280 Pipe		1	C=20Nm / Loxeal 83-21
66	540360 O-ring	Ø 44,12x2,62	1	Lubricate with motor oil
67	1800320 Fitting		1	C=20Nm
68	1040470 Screw	M10x8	2	C=20Nm / Loxeal 83-21
69	640070 O-ring	Ø 13,95x2,62	1	Lubricate Molykote G-807
70	320360 Screw	TCEI M8x22	2	C=20Nm
A	1964 Valve kit		1	
B	1953 Diaphragms kit	NBR	1	
B	43202 Diaphragms kit	BlueFlex	1	
C	43022 O-ring kit		1	
D	43023 Maintenance repair kit	NBR	1	
E	47197 Tank kit		1	

AR-2\_000072\_v01

- AR 1064 AP C/SP - NBR • 730
- AR 1064 AP C/SP - BlueFlex • 32116
- AR 1064 AP C/C - NBR • 731
- AR 1064 AP C/C - BlueFlex • 32115
- AR 1064 AP C/F Ø 1"3/8 - NBR • 732
- AR 1064 AP C/F Ø 1"3/8 - BlueFlex • 32117

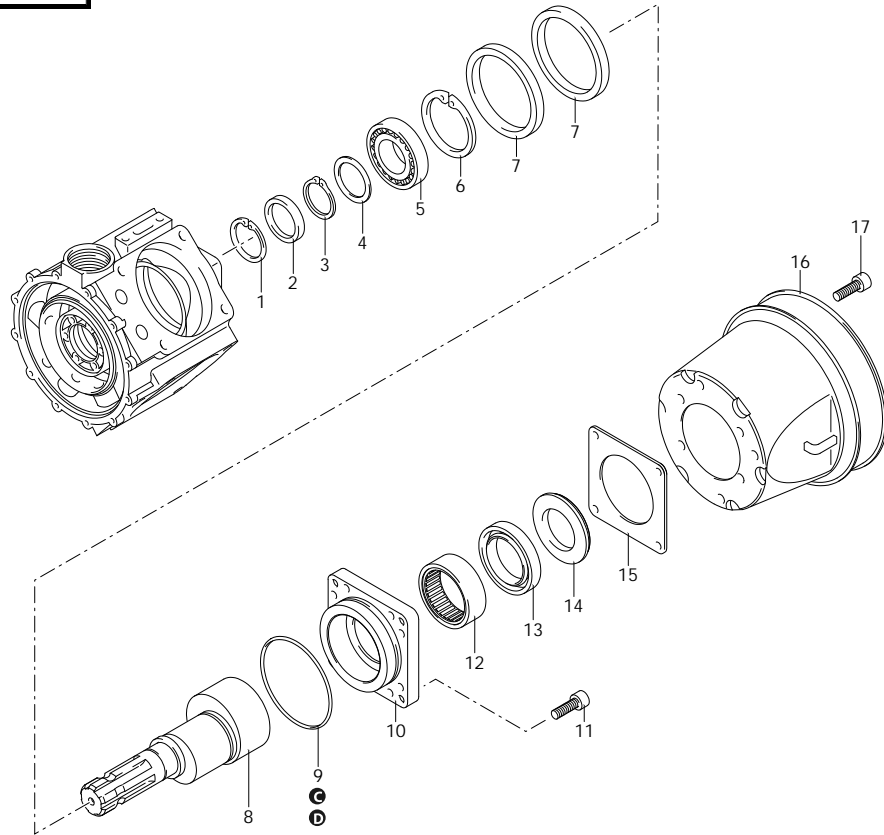
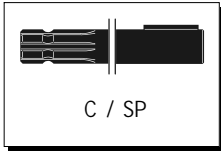


Revision: 1  
Date: 07/02/2023



# AR 1064

730 - 32116 - 731 - 32115 - 732 - 32117



Code	Description		Q	Note
1	1460490 Ring	seeger Øi 47	1	
2	1040050 Ring	seal	1	Lubricate with Mineral Grease
3	1040570 Ring	seeger Øe 35	1	
4	1040850 Spacer		1	
5	1800170 Bearing		1	
6	161050 Ring	seeger Øi 72	1	
7	1040340 Ring	Connecting-rod	2	
8	1800200 Shaft	34 marked	1	Lubricate with motor oil
9	1040060 O-ring	Ø 72,69x2,62	1	Lubricate Molykote Longterm W2
10	1800210 Flange		1	
11	180030 Screw	TCEI M8x20	8	C=20Nm / Loxeal 55-14
12	650200 Bearing		1	Press Mount
13	1400150 Ring	seal	1	Lubricate with Mineral Grease
14	1400110 Ring		1	
15	1400140 Flange		1	
16	1500350 Cardan protection	ø 199 mm	1	
16	1500470 Cardan protection	ø 239 mm	1	
17	820670 Screw	TCEI M10x16	4	C=10Nm
A	1964 Valve kit		1	
B	1953 Diaphragms kit	NBR	1	
B	43202 Diaphragms kit	BlueFlex	1	
C	43022 O-ring kit		1	
D	43023 Maintenance repair kit	NBR	1	

AR-2\_000073\_v01

- AR 1064 AP C/SP - NBR • 730
- AR 1064 AP C/SP - BlueFlex • 32116
- AR 1064 AP C/C - NBR • 731
- AR 1064 AP C/C - BlueFlex • 32115
- AR 1064 AP C/F Ø 1"3/8 - NBR • 732
- AR 1064 AP C/F Ø 1"3/8 - BlueFlex • 32117



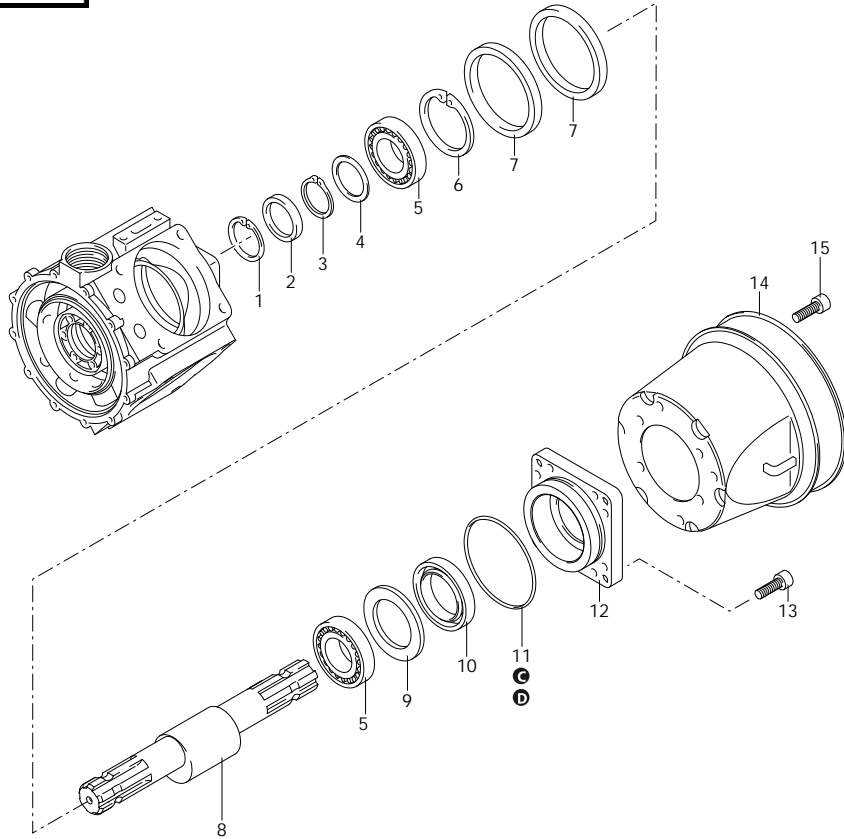
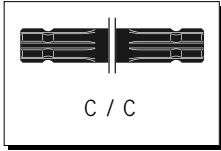
Revision: 1

Date: 07/02/2023



# AR 1064

730 - 32116 - 731 - 32115 - 732 - 32117



Code	Description		Q	Note
1	1460490 Ring	seeger Øi 47	1	
2	1040050 Ring	seal	1	Lubricate with Mineral Grease
3	1040570 Ring	seeger Øe 35	1	
4	1040850 Spacer		2	
5	1800170 Bearing		1	
6	161050 Ring	seeger Øi 72	1	
7	1040340 Ring	Connecting-rod	2	
8	1800180 Shaft	W marked	1	
9	1800230 Spacer		1	
10	751990 Ring	seal	1	Lubricate with Mineral Grease
11	1040060 O-ring	Ø 72,69x2,62	1	Lubricate Molykote Longterm W2
12	1800220 Flange		1	
13	180030 Screw	TCEI M8x20	8	C=20Nm / Loxeal 55-14
14	1500350 Cardan protection	ø 199 mm	1	
14	1500470 Cardan protection	ø 239 mm	1	
15	820670 Screw	TCEI M10x16	4	C=10Nm
A	1964 Valve kit		1	
B	1953 Diaphragms kit	NBR	1	
B	43202 Diaphragms kit	BlueFlex	1	
C	43022 O-ring kit		1	
D	43023 Maintenance repair kit	NBR	1	

AR-2\_000074\_v01

- AR 1064 AP C/SP - NBR • 730
- AR 1064 AP C/SP - BlueFlex • 32116
- AR 1064 AP C/C - NBR • 731
- AR 1064 AP C/C - BlueFlex • 32115
- AR 1064 AP C/F Ø 1"3/8 - NBR • 732
- AR 1064 AP C/F Ø 1"3/8 - BlueFlex • 32117



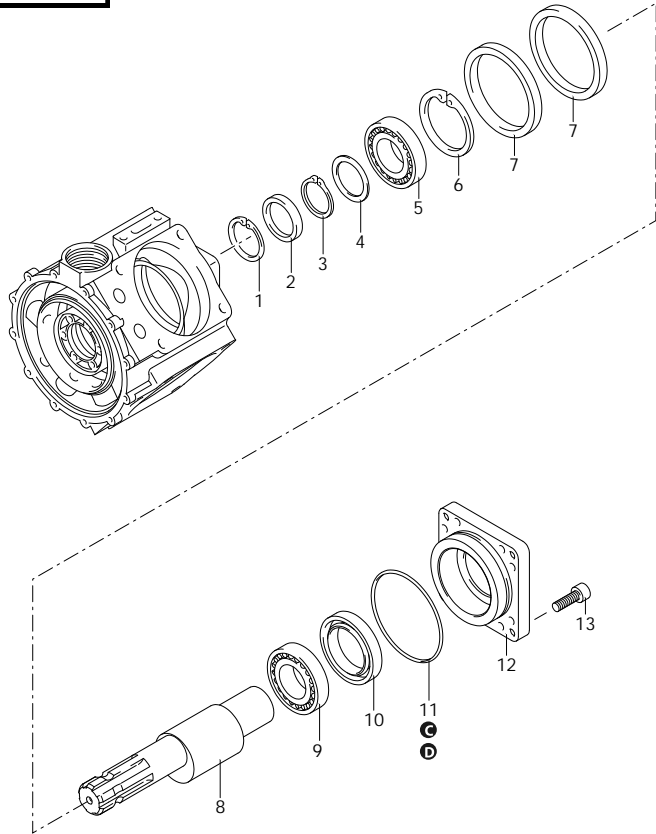
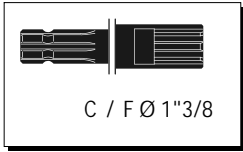
Revision: 1

Date: 07/02/2023



# AR 1064

730 - 32116 - 731 - 32115 - 732 - 32117



	Code	Description		Q	Note
1	1460490	Ring	seeger Øi 47	1	
2	1040050	Ring	seal	1	Lubricate with Mineral Grease
3	1040570	Ring	seeger Øe 35	1	
4	1040850	Spacer		1	
5	1800170	Bearing		1	
6	161050	Ring	seeger Øi 72	1	
7	1040340	Ring	Connecting-rod	2	
8	1800190	Shaft	Q marked	1	
9	230310	Bearing		1	Press Mount
10	200150	Ring	seal	1	
11	1040060	O-ring	Ø 72,69x2,62	1	Lubricate Molykote Longterm W2
12	1800120	Flange		1	
13	180030	Screw	TCEI M8x20	8	C=20Nm / Loxeal 55-14
A	1964	Valve kit		1	
B	1953	Diaphragms kit	NBR	1	
B	43202	Diaphragms kit	BlueFlex	1	
C	43022	O-ring kit		1	
D	43023	Maintenance repair kit	NBR	1	

AR-2\_000075\_v01

- AR 1064 AP C/SP - NBR • 730
- AR 1064 AP C/SP - BlueFlex • 32116
- AR 1064 AP C/C - NBR • 731
- AR 1064 AP C/C - BlueFlex • 32115
- AR 1064 AP C/F Ø 1"3/8 - NBR • 732
- AR 1064 AP C/F Ø 1"3/8 - BlueFlex • 32117



Revision: 1

Date: 07/02/2023