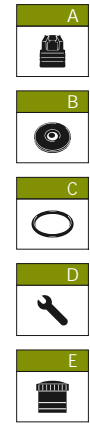
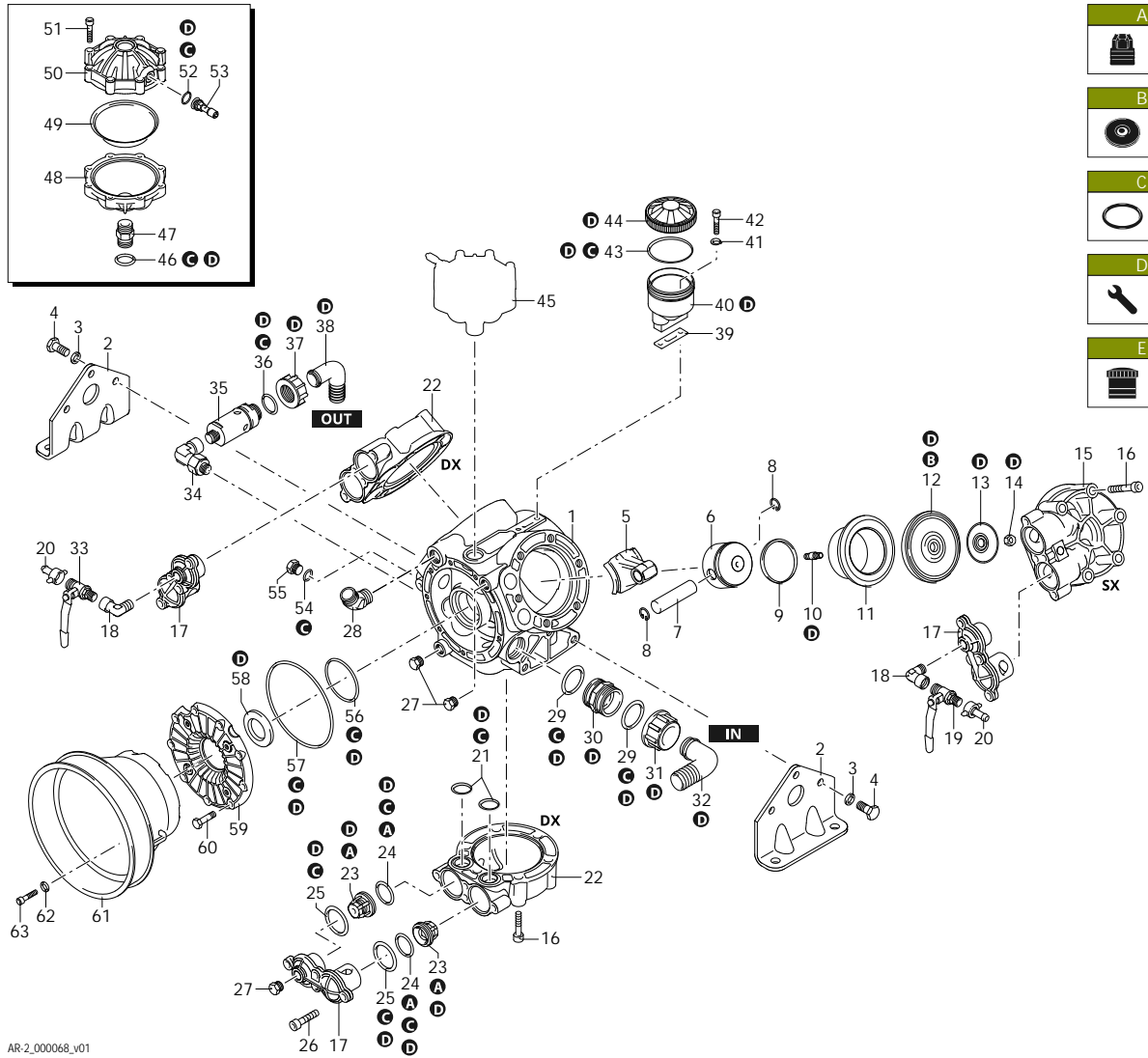




AR 1203

758 - 32119 - 759 - 32118 - 760 - 32120



Code	Description	Q	Note
1	2680010 Pump body	1	
2	2680100 Foot	2	
3	250141 Washer	6	
4	540210 Screw	6	C=50Nm
5	2680090 Connecting-rod	3	bronze
6	2240060 Piston	3	Ø 72
7	260700 Pin	3	
8	160691 Ring	6	seeger Øi 18
9	260230 Piston ring	3	
10	2240100 Hub pin	3	C=30Nm / Loxeal 83-21
11	2680080 Sleeve	3	
12	550080 Diaphragm	3	NBR - Øe 115
12	550081 Diaphragm	3	BlueFlex - Øe 115
12	550084 Diaphragm	3	Viton - Øe 115
12	550085 Diaphragm	3	Desmopan - Øe 115
12	550086 Diaphragm	3	HPDS - Øe 115
13	580090 Plate	3	
14	2240110 Nut	3	M10
15	2680031 Head	1	sx
16	750070 Screw	18	TE M12x70
17	2680040 Cover	3	
18	900210 Fitting	2	3/8" G (M-F)
19	130491 Valve	1	3/8" G - 1/2" G (M-M)
20	110131 Ring nut	2	1/2" G
21	1520650 O-ring	6	Ø 29,82x2,62
22	2680030 Head	2	dx
23	2689050 Valve	6	
24	180240 O-ring	6	Ø 31,34x3,53
25	2680150 O-ring	6	Ø 42,52x2,62
26	540300 Screw	12	TCEI M10x30
27	130171 Plug	3	3/8" G
28	851650 Elbow	1	Loxeal 55-14
29	250310 O-ring	2	Ø 36,14x2,62
30	540530 Fitting	1	1 1/4 G - 1 3/4 G (M-M)
31	540540 Ring nut	1	1" 3/4 G
32	540550 Elbow	1	Ø 40
33	130492 Valve	1	3/8" G - 1/2" G (M-M)
34	2680310 Fitting	1	Loxeal 55-14
35	1609002 Safety valve	1	50 bar
36	880831 O-ring	1	Ø 15,54x2,62 Viton
37	550450 Ring nut	1	3/4" G
38	550460 Elbow	1	Ø 18
39	750040 Gasket	1	Seal with Arexons Mastic
40	750030 Tank	1	
41	380241 Washer	2	
42	680350 Screw	2	TCEI M8x35
43	1040060 O-ring	1	Ø 72,69x2,62
44	750050 Plug	1	red

AR-2_000068_v01

- AR 1203 AP C/SP - NBR • 758
- AR 1203 AP C/SP - BlueFlex • 32119
- AR 1203 AP C/C - NBR • 759
- AR 1203 AP C/C - BlueFlex • 32118
- AR 1203 AP C/F Ø 1"3/8 - NBR • 760
- AR 1203 AP C/F Ø 1"3/8 - BlueFlex • 32120

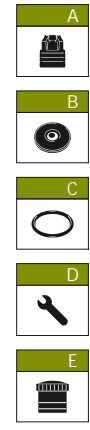
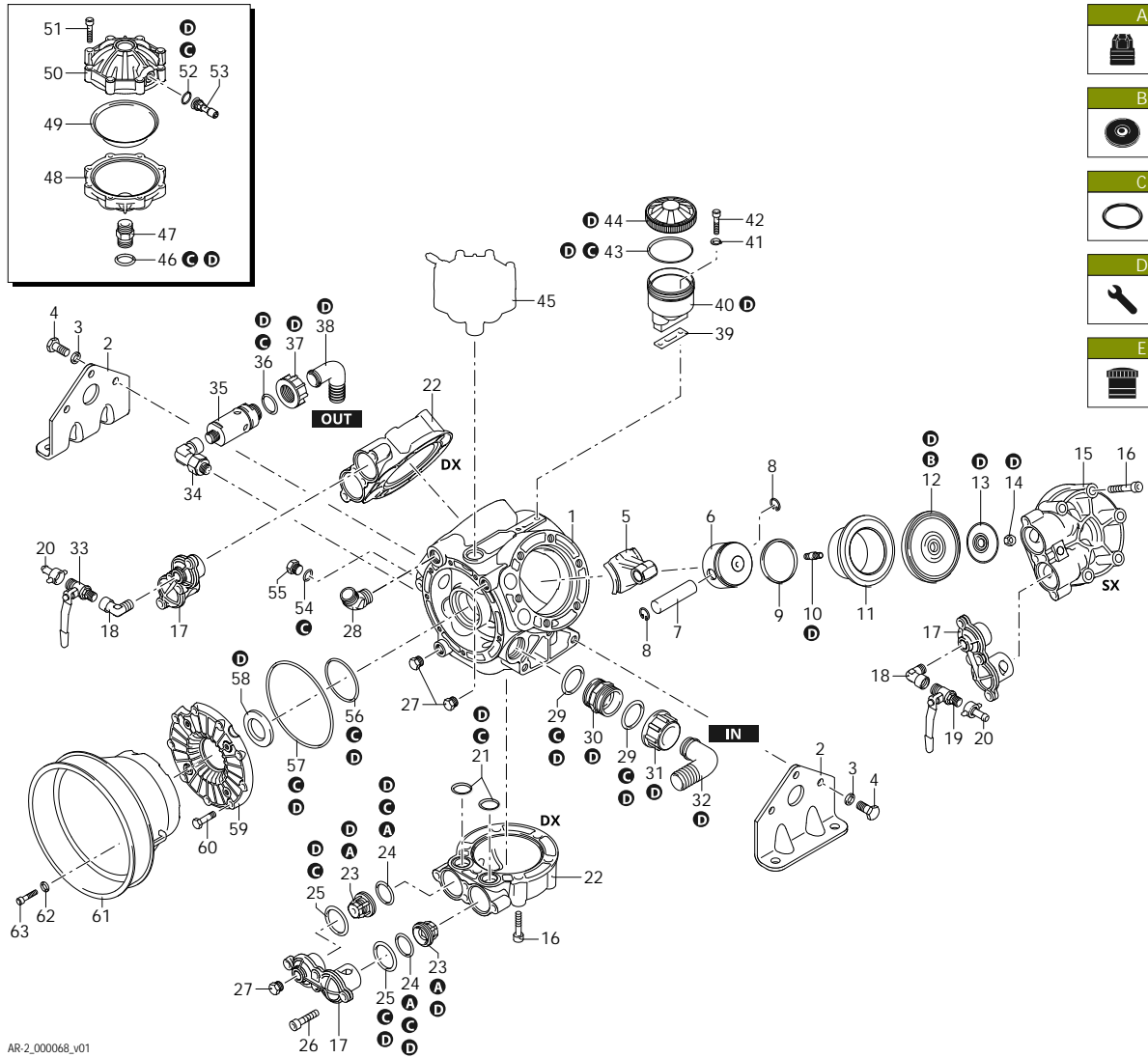


Revision: 1
Date: 07/02/2023



AR 1203

758 - 32119 - 759 - 32118 - 760 - 32120



Code	Description		Q	Note
45	1527	Air chamber	NBR	1
45	43071	Air chamber	BlueFlex	1
46	720030	O-ring	Ø 22,22x2,62	1 Lubricate Molykote G-807
47	2240490	Fitting		1 C=20Nm / Loxeal 24-18
48	2240481	Semi air chamber	lower	1 Loxeal 83-21
49	550190	Diaphragm	NBR - Øe 110	1
49	550194	Diaphragm	BlueFlex - Øe 110	1
50	620234	Semi air chamber	upper	1
51	380410	Screw	TCEI M8x40	8 C=20Nm
52	650542	Gasket		1 Lubricate with motor oil
53	180020	Air valve		1 C=3Nm / Loxeal 55-14
54	180101	O-ring	Ø 17,5x2	1 Lubricate with motor oil
55	820361	Plug	1/2" G brass	1
56	2240270	O-ring	Ø 26,65x2,62	1 Lubricate with motor oil
57	1400120	O-ring	Ø 145,72x2,62	1 Lubricate with motor oil
58	2680110	Ring	seal	1
59	2680050	Line	intake	1
60	180370	Screw	TCEI M8x25	9 C=20Nm
61	1500470	Cardan protection	ø 239 mm	1
62	390311	Washer		3
63	850250	Screw	TCEI M8x12	3
A	42200	Valve kit		1
B	2367	Diaphragms kit	NBR	1
B	43085	Diaphragms kit	BlueFlex	1
B	2369	Diaphragms kit	Desmopan	1
B	2368	Diaphragms kit	HPDS	1
C	42201	O-ring kit		1
D	42202	Maintenance repair kit	NBR	1
E	47197	Tank kit		1

AR-2_000068_v01

- AR 1203 AP C/SP - NBR • 758
- AR 1203 AP C/SP - BlueFlex • 32119
- AR 1203 AP C/C - NBR • 759
- AR 1203 AP C/C - BlueFlex • 32118
- AR 1203 AP C/F Ø 1"3/8 - NBR • 760
- AR 1203 AP C/F Ø 1"3/8 - BlueFlex • 32120

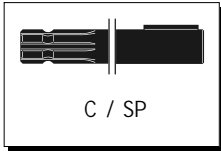


Revision: 1
Date: 07/02/2023

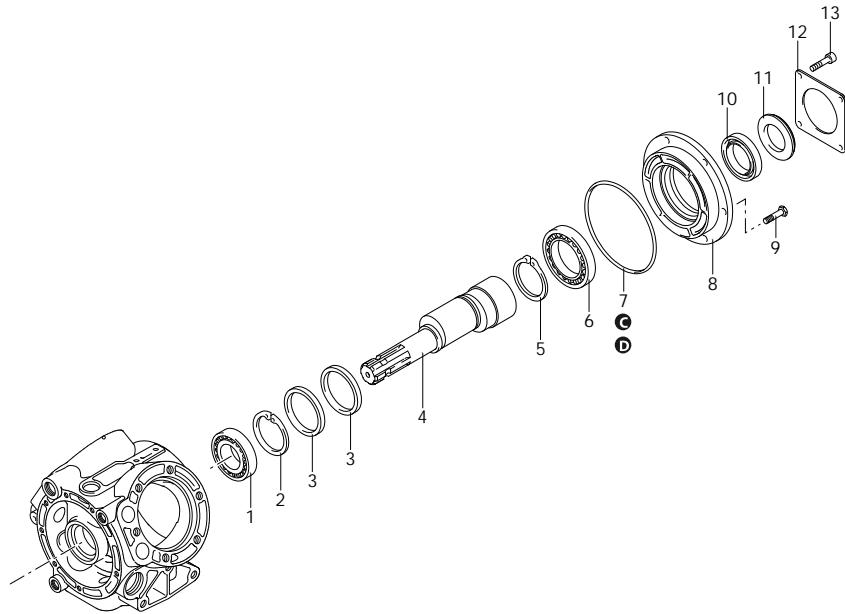


AR 1203

758 - 32119 - 759 - 32118 - 760 - 32120



C / SP



Code	Description	Q	Note
1	230350 Bearing	1	Press Mount
2	230340 Ring	1	
3	2240540 Ring	2	seeger Øi 80
4	2680270 Shaft	1	Connecting-rod CM marked
5	2680290 Ring	1	seeger Øe 65
6	2680280 Bearing	1	Press Mount
7	1400120 O-ring	1	Ø 145,72x2,62
8	2680240 Flange	1	
9	160670 Screw	6	TE M10x25 C=40Nm
10	1400150 Ring	1	seal Lubricate with Mineral Grease
11	1400110 Ring	1	
12	1400140 Flange	1	
13	820670 Screw	4	TCEI M10x16 C=10Nm
A	42200 Valve kit	1	
B	2367 Diaphragms kit	1	NBR
B	43085 Diaphragms kit	1	BlueFlex
B	2369 Diaphragms kit	1	Desmopan
B	2368 Diaphragms kit	1	HPDS
C	42201 O-ring kit	1	
D	42202 Maintenance repair kit	1	NBR

AR-2_000069_v01

- AR 1203 AP C/SP - NBR • 758
- AR 1203 AP C/SP - BlueFlex • 32119
- AR 1203 AP C/C - NBR • 759
- AR 1203 AP C/C - BlueFlex • 32118
- AR 1203 AP C/F Ø 1"3/8 - NBR • 760
- AR 1203 AP C/F Ø 1"3/8 - BlueFlex • 32120



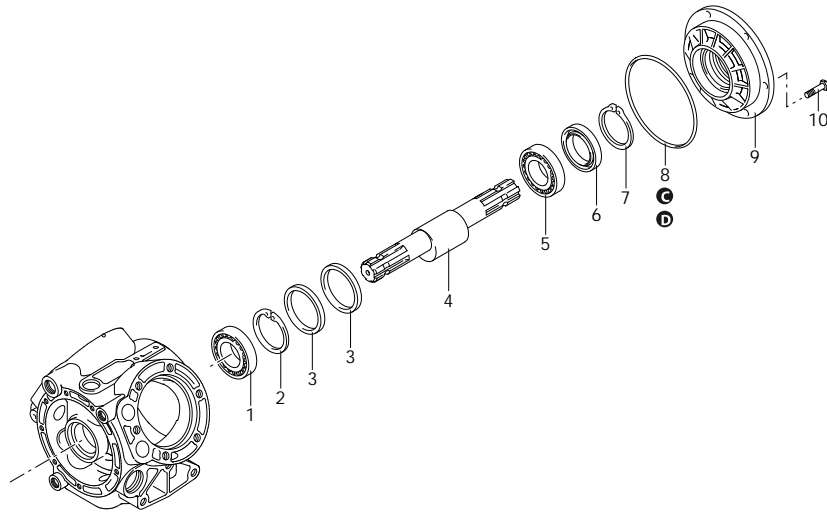
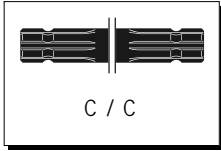
Revision: 1

Date: 07/02/2023



AR 1203

758 - 32119 - 759 - 32118 - 760 - 32120



Code	Description	Q	Note
1	230350 Bearing	1	Press Mount
2	230340 Ring	1	
3	2240540 Ring	2	seeger Øi 80 Connecting-rod
4	2680190 Shaft	1	CC marked
5	230350 Bearing	1	Press Mount
6	2680120 Ring	1	seal Lubricate with Mineral Grease
7	161050 Ring	1	seeger Øi 72
8	1400120 O-ring	1	Ø 145,72x2,62 Lubricate with motor oil
9	2680020 Flange	1	
10	160670 Screw	6	TE M10x25 C=40Nm
A	42200 Valve kit	1	
B	2367 Diaphragms kit	1	NBR
B	43085 Diaphragms kit	1	BlueFlex
B	2369 Diaphragms kit	1	Desmopan
B	2368 Diaphragms kit	1	HPDS
C	42201 O-ring kit	1	
D	42202 Maintenance repair kit	1	NBR

AR-2_000070_v01

- AR 1203 AP C/SP - NBR • 758
- AR 1203 AP C/SP - BlueFlex • 32119
- AR 1203 AP C/C - NBR • 759
- AR 1203 AP C/C - BlueFlex • 32118
- AR 1203 AP C/F Ø 1"3/8 - NBR • 760
- AR 1203 AP C/F Ø 1"3/8 - BlueFlex • 32120

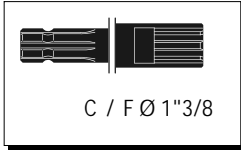


Revision: 1
Date: 07/02/2023

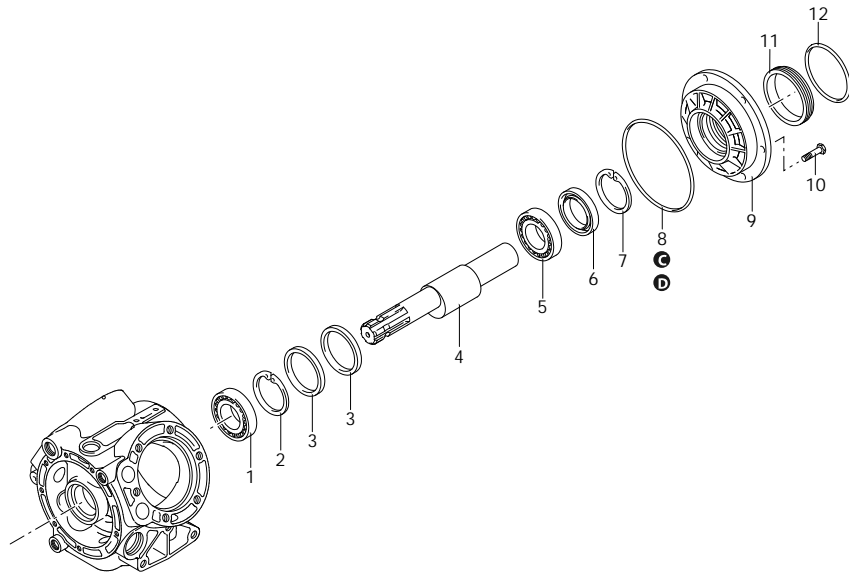


AR 1203

758 - 32119 - 759 - 32118 - 760 - 32120



C / F Ø 1 3/8



Code	Description	Q	Note
1	230350 Bearing	1	Press Mount
2	230340 Ring	1	
3	2240540 Ring	2	Connecting-rod
4	2680220 Shaft	1	CD marked
5	230310 Bearing	1	Press Mount
6	2680130 Ring	1	Lubricate with Mineral Grease
7	161050 Ring	1	
8	1400120 O-ring	1	Lubricate with motor oil
9	2680021 Flange	1	
10	160670 Screw	6	C=40Nm
11	2420250 Ring	1	
12	580230 O-ring	1	
A	42200 Valve kit	1	
B	2367 Diaphragms kit	1	NBR
B	43085 Diaphragms kit	1	BlueFlex
B	2369 Diaphragms kit	1	Desmopan
B	2368 Diaphragms kit	1	HPDS
C	42201 O-ring kit	1	
D	42202 Maintenance repair kit	1	NBR

AR-2_000071_v01

- AR 1203 AP C/SP - NBR • 758
- AR 1203 AP C/SP - BlueFlex • 32119
- AR 1203 AP C/C - NBR • 759
- AR 1203 AP C/C - BlueFlex • 32118
- AR 1203 AP C/F Ø 1 3/8 - NBR • 760
- AR 1203 AP C/F Ø 1 3/8 - BlueFlex • 32120



Revision: 1

Date: 07/02/2023