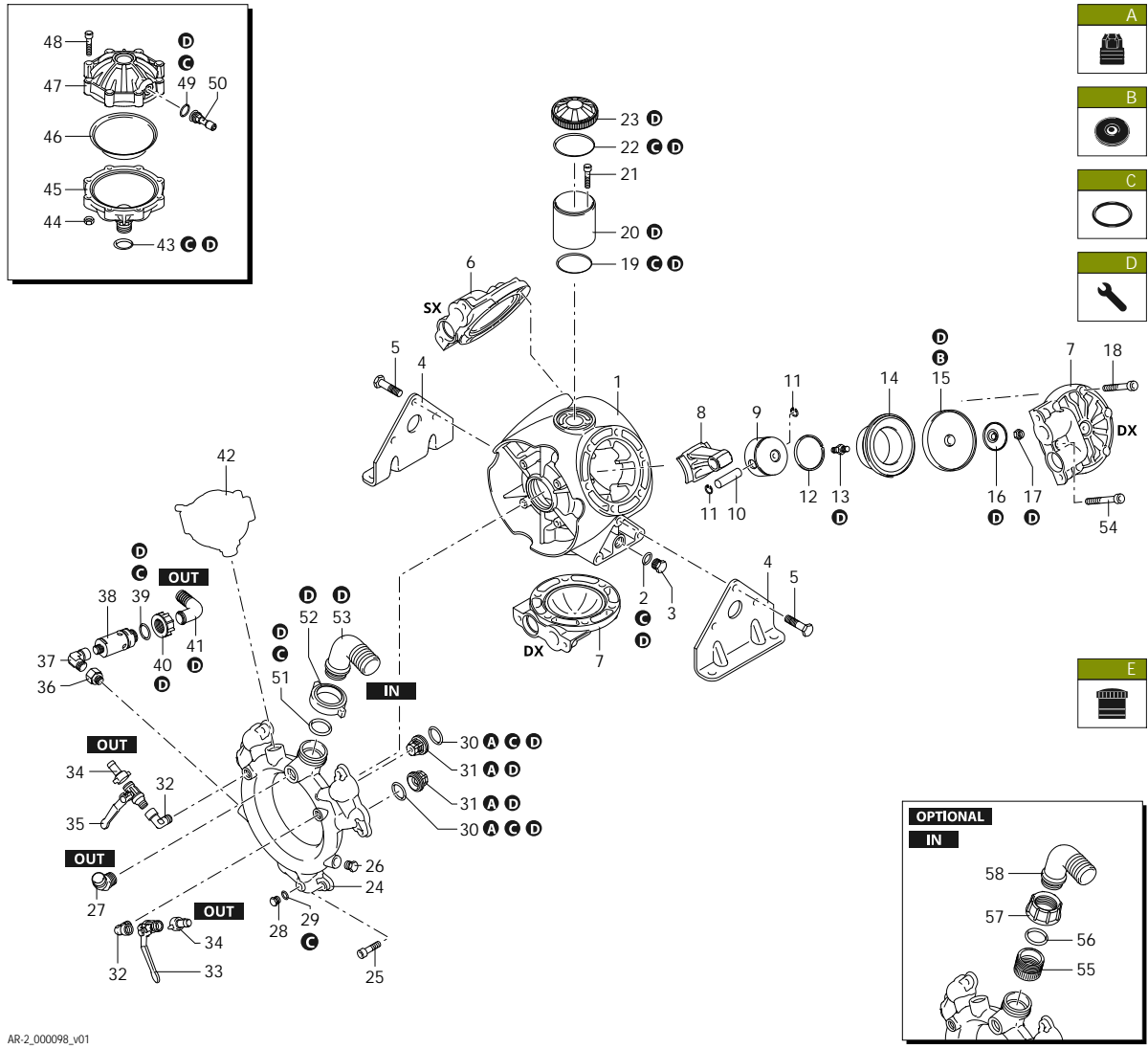




BHS 150

763 - 32160 - 764 - 32161 - 836 - 32162



Code	Description	Q	Note
1	2240011 Pump body	1	
2	180101 O-ring	2	Lubricate with motor oil
3	820361 Plug	2	1/2" G brass
4	2240190 Foot	2	
5	540100 Screw	6	TE M12x40
6	2240031 Head	1	sx
7	2240030 Head	2	dx
8	2240090 Connecting-rod	3	
9	2240350 Piston	3	Ø 82
10	540070 Pin	3	Lubricate with motor oil
11	160691 Ring	6	seeger Øi 18
12	2240360 Piston ring	3	
13	2240100 Hub pin	3	C=30Nm / Loxeal 83-21
14	2240520 Sleeve	3	
15	2240080 Diaphragm	3	NBR - Øe 120
15	2240081 Diaphragm	3	BlueFlex - Øe 120
15	2240085 Diaphragm	3	Desmopan - Øe 120
16	580090 Plate	3	
17	2240110 Nut	3	M10
18	2240470 Screw	15	TCEI M12x70
19	2240270 O-ring	1	Ø 26,65x2,62
20	2240070 Tank	1	
21	540290 Screw	3	TCEI M8x25
22	1040060 O-ring	1	Ø 72,69x2,62
23	750050 Plug	1	red
24	2240040 Line	1	intake/delivery
25	650330 Screw	6	TCEI M10x35
26	880530 Plug	1	3/8" G
27	851650 Elbow	1	Loxeal 55-14
28	880581 Plug	1	1/4" G
29	820510 O-ring	1	Ø 10,82x1,78
30	680070 O-ring	6	Ø 31,5x4,25
31	2249050 Valve	6	
32	2240260 Fitting	2	3/8" G (M-F)
33	130491 Valve	1	3/8" G - 1/2" G (M-M)
34	110130 Ring nut	2	1/2" G
35	130492 Valve	1	3/8" G - 1/2" G (M-M)
36	881461 Threaded adapter	1	3/8" G - 1/2" G
37	2680310 Fitting	1	Loxeal 55-14
38	1609002 Safety valve	1	50 bar
39	880831 O-ring	1	Ø 15,54x2,62 Viton
40	550450 Ring nut	1	3/4" G
41	550460 Elbow	1	Ø 18
42	1529 Air chamber	1	NBR
42	43070 Air chamber	1	BlueFlex
43	720030 O-ring	1	Ø 22,22x2,62
44	2240490 Fitting	1	Lubricate Molykote G-807
45	2240481 Semi air chamber	1	C=20Nm / Loxeal 24-18
			lower
			Loxeal 83-21

AR-2_000098_v01

- BHS 150 AP C/C - NBR • 763
- BHS 150 AP C/C - BlueFlex • 32160
- BHS 150 AP C/F Ø 1"3/8 - NBR • 764
- BHS 150 AP C/F Ø 1"3/8 - BlueFlex • 32161
- BHS 150 AP C/F Ø 32 - NBR • 836
- BHS 150 AP C/F Ø 32 - BlueFlex • 32162

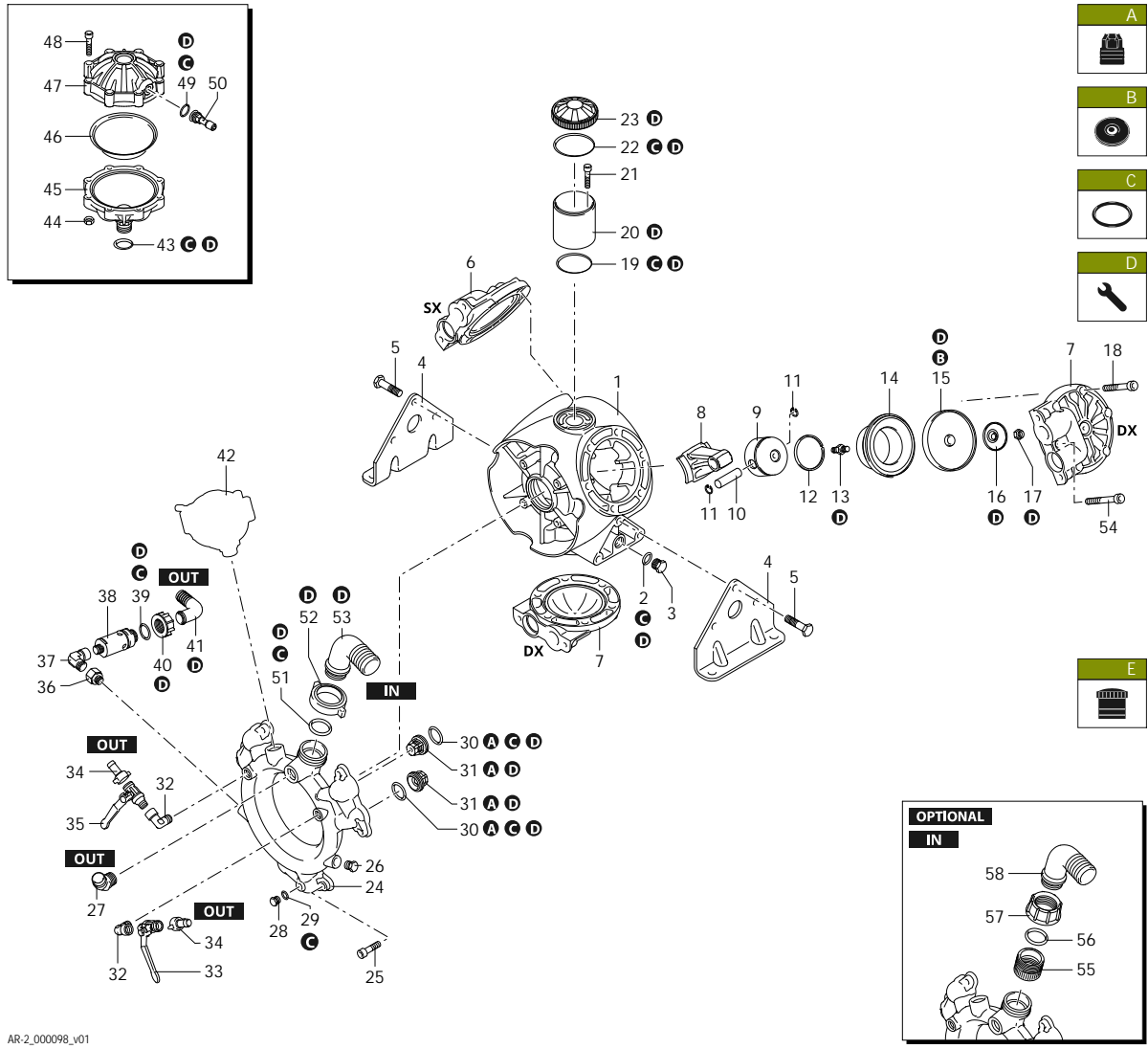


Revision: 1
Date: 07/02/2023



BHS 150

763 - 32160 - 764 - 32161 - 836 - 32162



Code	Description		Q	Note
46	550190 Diaphragm	NBR - Øe 110	1	
46	550194 Diaphragm	BlueFlex - Øe 110	1	
47	620234 Semi air chamber	upper	1	
48	380410 Screw	TCEI M8x40	8	C=20Nm
49	650542 Gasket		1	Lubricate with motor oil
50	180020 Air valve		1	C=3Nm / Loxeal 55-14
51	390210 O-ring	Ø 39,69x3,53	1	Lubricate with motor oil
52	2240200 Ring nut	1" 3/4 G	1	
53	2240211 Elbow	Ø 40	1	
54	2240220 Screw	TE M12x65	3	C=50Nm
55	2380080 Fitting	2" G - 1"3/4 G (M-F)	1	Loxeal 55-14
56	620210 O-ring	Ø 40,95x2,62	1	
57	760040 Ring nut	2" G	1	
58	760020 Elbow	Ø 50	1	
A	2445 Valve kit		1	
B	2444 Diaphragms kit	NBR	1	
B	43204 Diaphragms kit	BlueFlex	1	
B	43205 Diaphragms kit	Desmopan	1	
C	2446 O-ring kit		1	
D	47138 Maintenance repair kit	NBR	1	
E	47199 Tank kit		1	

AR-2_000098_v01

- BHS 150 AP C/C - NBR • 763
- BHS 150 AP C/C - BlueFlex • 32160
- BHS 150 AP C/F Ø 1"3/8 - NBR • 764
- BHS 150 AP C/F Ø 1"3/8 - BlueFlex • 32161
- BHS 150 AP C/F Ø 32 - NBR • 836
- BHS 150 AP C/F Ø 32 - BlueFlex • 32162

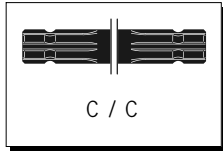


Revision: 1
Date: 07/02/2023

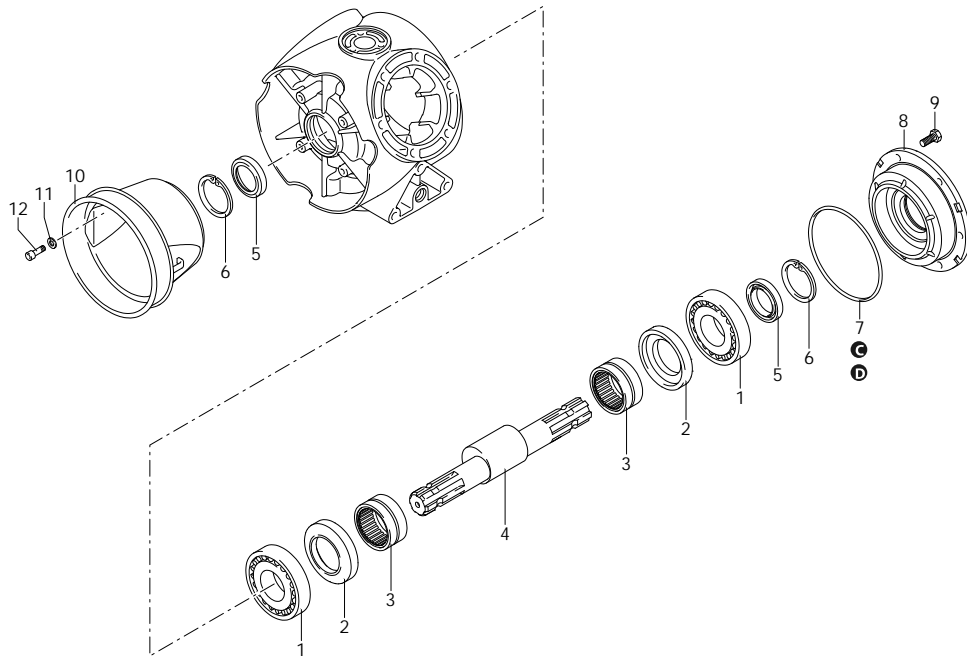


BHS 150

763 - 32160 - 764 - 32161 - 836 - 32162



C / C



Code	Description	Q	Note
1	2240430 Bearing	2	Press Mount
2	2240121 Ring	2	Connecting-rod
3	850320 Bearing	2	
4	2240173 Shaft	1	BE marked
5	2240150 Ring	2	seal Lubricate with Mineral Grease
6	2240160 Ring	2	seeger Øi 62
7	2240290 O-ring	1	Ø 152,7x2,62 Lubricate with motor oil
8	2240020 Flange	1	Press Mount
9	160670 Screw	6	TE M10x25 C=40Nm
10	1500470 Cardan protection	1	ø 239 mm
11	390311 Washer	3	
12	850250 Screw	3	TCEI M8x12
A	2445 Valve kit	1	
B	2444 Diaphragms kit	1	NBR
B	43204 Diaphragms kit	1	BlueFlex
B	43205 Diaphragms kit	1	Desmopan
C	2446 O-ring kit	1	
D	47138 Maintenance repair kit	1	NBR

AR-2_000099_v01

- BHS 150 AP C/C - NBR • 763
- BHS 150 AP C/C - BlueFlex • 32160
- BHS 150 AP C/F Ø 1"3/8 - NBR • 764
- BHS 150 AP C/F Ø 1"3/8 - BlueFlex • 32161
- BHS 150 AP C/F Ø 32 - NBR • 836
- BHS 150 AP C/F Ø 32 - BlueFlex • 32162



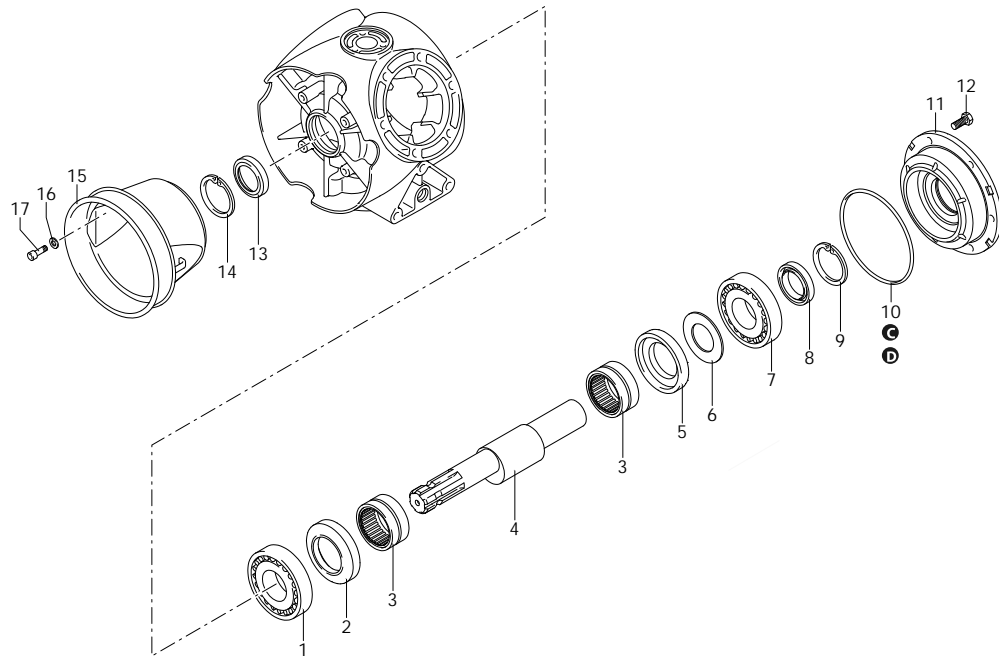
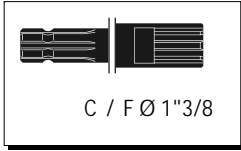
Revision: 1

Date: 07/02/2023



BHS 150

763 - 32160 - 764 - 32161 - 836 - 32162



Code	Description	Q	Note
1	2240430 Bearing	1	Press Mount
2	2240121 Ring	1	Connecting-rod
3	850320 Bearing	2	
4	2240410 Shaft	1	BG marked
5	2240390 Ring	1	Connecting-rod
6	2240400 Plate	1	
7	2240440 Bearing	1	Press Mount
8	1800090 Ring	1	seal Lubricate with Mineral Grease
9	620330 Ring	1	seeger Øi 65
10	2240290 O-ring	1	Ø 152,7x2,62 Lubricate with motor oil
11	2240370 Flange	1	Press Mount
12	160670 Screw	6	TE M10x25 C=40Nm
13	2240150 Ring	1	seal Lubricate with Mineral Grease
14	2240160 Ring	1	seeger Øi 62
15	1500470 Cardan protection	1	Ø 239 mm
16	390311 Washer	3	
17	850250 Screw	3	TCEI M8x12
A	2445 Valve kit	1	
B	2444 Diaphragms kit	1	NBR
B	43204 Diaphragms kit	1	BlueFlex
B	43205 Diaphragms kit	1	Desmopan
C	2446 O-ring kit	1	
D	47138 Maintenance repair kit	1	NBR

AR-2_000100_v01

- BHS 150 AP C/C - NBR • 763
- BHS 150 AP C/C - BlueFlex • 32160
- BHS 150 AP C/F Ø 1"3/8 - NBR • 764
- BHS 150 AP C/F Ø 1"3/8 - BlueFlex • 32161
- BHS 150 AP C/F Ø 32 - NBR • 836
- BHS 150 AP C/F Ø 32 - BlueFlex • 32162



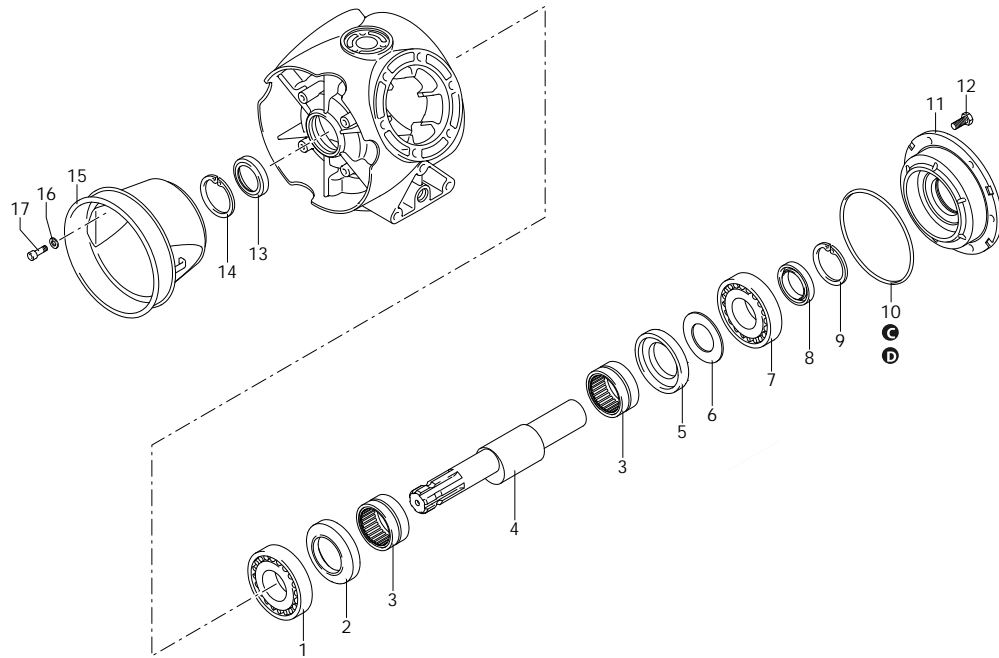
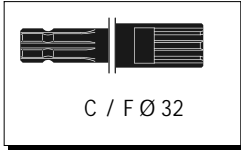
Revision: 1

Date: 07/02/2023



BHS 150

763 - 32160 - 764 - 32161 - 836 - 32162



Code	Description	Q	Note
1	2240430 Bearing	1	Press Mount
2	2240121 Ring	1	Connecting-rod
3	850320 Bearing	2	
4	2240620 Shaft	1	DH marked
5	2240390 Ring	1	Connecting-rod
6	2240400 Plate	1	
7	2240440 Bearing	1	Press Mount
8	1800090 Ring	1	seal
9	620330 Ring	1	seeger Øi 65
10	2240290 O-ring	1	Ø 152,7x2,62
11	2240610 Flange	1	Press Mount
12	160670 Screw	6	TE M10x25
13	2240150 Ring	1	seal
14	2240160 Ring	1	seeger Øi 62
15	1500470 Cardan protection	1	Ø 239 mm
16	390311 Washer	3	
17	850250 Screw	3	TCEI M8x12
A	2445 Valve kit	1	
B	2444 Diaphragms kit	1	NBR
B	43204 Diaphragms kit	1	BlueFlex
B	43205 Diaphragms kit	1	Desmopan
C	2446 O-ring kit	1	
D	47138 Maintenance repair kit	1	NBR

AR-2_000101_v01

- BHS 150 AP C/C - NBR • 763
- BHS 150 AP C/C - BlueFlex • 32160
- BHS 150 AP C/F Ø 1"3/8 - NBR • 764
- BHS 150 AP C/F Ø 1"3/8 - BlueFlex • 32161
- BHS 150 AP C/F Ø 32 - NBR • 836
- BHS 150 AP C/F Ø 32 - BlueFlex • 32162



Revision: 1

Date: 07/02/2023