

# Polypropylene Bolted Ball Valves

## FEATURES

- FKM (viton type) seals.
- PTFE self-lubricating stem bushings and seats cannot stick or bind.
- Precision molded in polypropylene.
- Polypropylene is reinforced with fiberglass for additional strength.
- Self-aligning ball moves freely against the PTFE seats for smooth operation.
- Valve opens and closes with very little pressure on the handle.
- Ball is diamond turned, after molding, to make it spherically perfect, which provides precise contact between ball and seats.
- Stainless steel bolts.

### 6 BOLT VALVES

PART NO	DESCRIPTION	MAX PSI	PIPE SIZE	OPENING THRU BALL	QTY
V200FP	2" Full Port Valve	150	2"	2"	8/box
V300	3" Standard Port Valve	100	3"	2 1/2"	8/box
V300FP	3" Full Port Valve	100	3"	3"	6/box
V400	4" Standard Port Valve	75	4"	3 1/2"	4/box

### 6 BOLT VALVES w/ "F" ADAPTER

PART NO	DESCRIPTION	MAX PSI	PIPE SIZE	OPENING THRU BALL	QTY
VFMT200FP	2" Full Port Valve w/"F" Adapter	150	2"	2"	6/box
VFMT200FPSH	2" Full Port Valve w/"F" Adapter	150	2"	2"	6/box

## LOCKING HANDLE FEATURES

- Stainless steel hardware.
- Locks in open and closed positions.
- Locking handle replaces standard handle.
- Padlock not included.\*

### LOCKING HANDLE FEATURES

PART NO	DESCRIPTION	VALVE USED	QTY
VL25153*	Locking Handle	V200FP, V300, V300FP, V400 VFMT200FP & VFMT200FPSH	1

## FEATURES FOR MOUNTING BRACKETS

- 316 Stainless steel construction.
- Straight and 90° available.

### MOUNTING BRACKETS

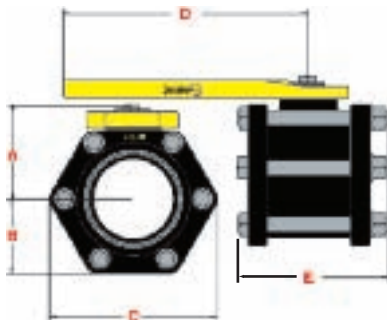
PART NO	DESCRIPTION	VALVE USED	QTY
V25270	Straight Mounting Bracket	V200FP, V300, V300FP, V400 VFMT200FP & VFMT200FPSH	1
V25271	90° Mounting Bracket	V200FP, V300, V300FP, V400 VFMT200FP & VFMT200FPSH	1

## FEATURES FOR REMOVABLE HANDLE KIT

- Removable handle deters opening the valve for safety, vandalism and theft.

### REMOVABLE HANDLE KIT

PART NO	DESCRIPTION	VALVE USED	QTY
VRH220K	Removable Handle Kit	V200FP, V300 & V300FP	1



VFMT200FP  
(shown w/ long handle)



VL25153



V25270

V25271



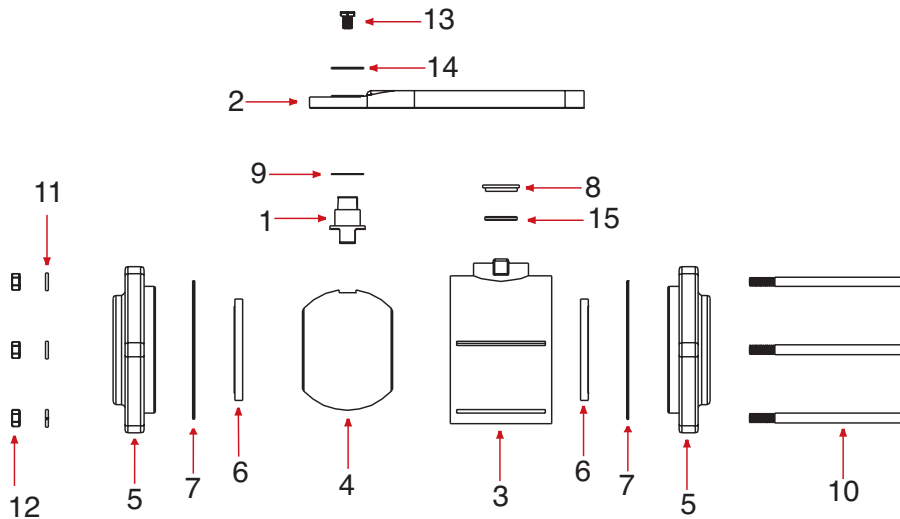
VRH220K

NEW

3 Piece Kit

### DIMENSION CHART IN INCHES (REFER TO DRAWING ON LEFT)

PART NO	DESCRIPTION	A	B	C	D	E
V200FP	Full Port Valve	3.25	2.38	5.44	9.25	5.50
V300	Standard Port Valve	3.53	2.69	6.28	9.25	6.06
V300FP	Full Port Valve	4.25	3.25	7.35	9.25	6.40
V400	Standard Port Valve	4.50	3.60	8.19	9.25	7.88
VFMT200FP	Full Port Valve	3.38	2.38	5.44	9.25	8.30
VFMT200FPSH	Full Port Valve	3.38	2.38	5.44	5.25	8.30



REPLACEMENT PARTS V200FP-VFMT200FP-VFMT200FPSH-V300-V300FP-V400				
ITEM	PART NO	DESCRIPTION	QTY	
1	V25151B	Stem	1	
2	V25153	Handle	1	
8	V25160*	Upper Stem Bushing	1	
9	V25060*	Thrust Washer	1	
11	V20018	1/4" SS Lock Washer	4	
12	V20019	3/8" 16 SS Hex Nut	4	
13	V25020	#10 x 3/4" SS Handle Bolt	1	
14	V25121	SS Handle Washer	1	
15	V25163*	FKM (viton type) Stem O-Ring	1	
N/S	V25271	90° Mounting Bracket Fits V150, V200, V200FP, V300 & V300FP	1	
N/S	V25270	Straight Mounting Bracket Fits V150, V200, V200FP, V300 & V300FP	1	

REPLACEMENT PARTS V200FP-VFMT200FP-VFMT200FPSH				
ITEM	PART NO	DESCRIPTION	QTY	PRICE
2	V25153SH	Short Handle for VFMT200FPSH	1	
3	V25254	Valve Body	1	
4	V25255A*	Valve Ball	1	
5	V25256	2" End Plate Female NPT	2	
5	VMT25256	2" End Plate Male NPT	1	
5	VF25256	2" End Plate Male Adapter	1	
6	V25258A*	Ball Seat	2	
7	V25264*	FKM (viton type) Valve Body O-Ring	2	
10	V25017	3/8" x 4 1/2" SS Body Bolt	6	
N/S	V25200	Repair Kit	1	

REPLACEMENT PARTS V300				
ITEM	PART NO	DESCRIPTION	QTY	
3	V30254	Valve Body	1	
4	V30255*	Valve Ball	1	
5	V30264	3" End Plate	2	
6	V30258A*	Ball Seat	2	
7	V30265*	FKM (viton type) Valve Body O-Ring	2	
10	V30017	3/8" x 5" SS Body Bolt	6	
N/S	V30200	Repair Kit	1	

REPLACEMENT PARTS V300FP				
ITEM	PART NO	DESCRIPTION	QTY	
3	V35254	Valve Body	1	
4	V35255A*	Valve Ball	1	
5	V35264	3" FP End Plate	2	
6	V35258A*	Ball Seat	2	
7	V35265*	FKM (viton type) Valve Body O-Ring	2	
10	V35017	3/8" x 6" SS Body Bolt	6	
N/S	V35200	Repair Kit	1	

REPLACEMENT PARTS V400				
ITEM	PART NO	DESCRIPTION	QTY	
3	V40254	Valve Body	1	
4	V40255*	Valve Ball	1	
5&6	V40264	End Plate w/PTFE Ball Seat	2	
7	V40265*	FKM (viton type) Valve Body O-Ring	2	
10	V40017	3/8" x 7 1/2" SS Body Bolt	6	
N/S	V40200	Repair Kit	1	

\*Valve repair kits contain items marked with asterisk :

1 Ball	2 Body O-Rings	1 Thrust Washer
2 Ball Seats	1 Upper Stem Bushing	1 Stem O-Ring