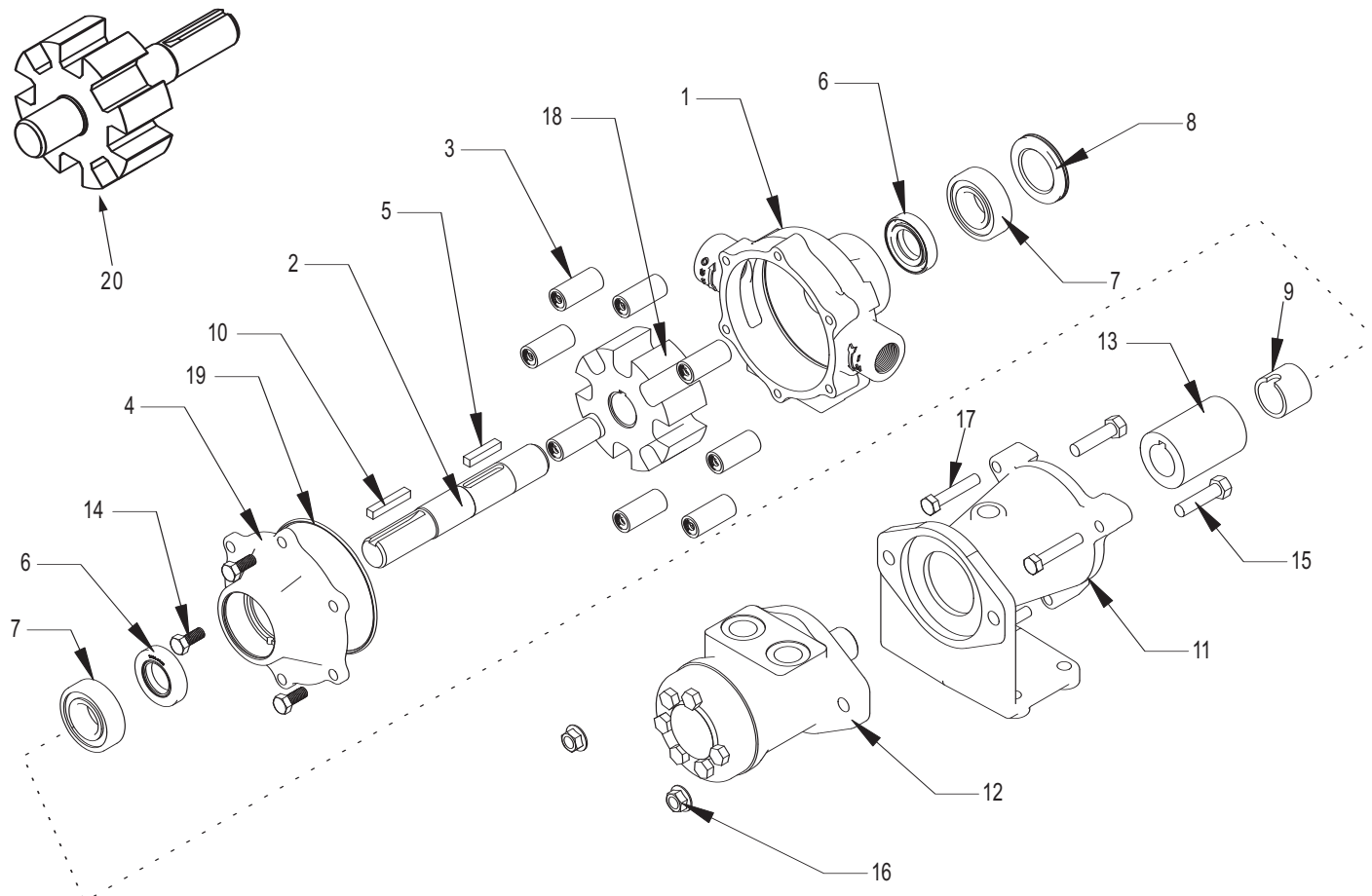


Models 7560C-GM30, 7560N-GM30 and 7560XL-GM30



Ref. No.	Qty. Req'd.	Part Number	Description
1	1	0154-7500C	Body (Cast Iron)
1	1	0154-7500N	Body (Ni-Resist)
1	1	0154-7500X	Body (SilverCast)
2	1	0510-7500	Shaft
3	8	1005-0004	Super Roller (Standard)
3	8	1002-0004	Polypropylene Roller (Optional)
3	8	1052-0004	Buna-N Roller (Optional)
3	8	1055-0004	Teflon Roller (Optional)
4	1	0254-7500C	End plate (Cast Iron)
4	1	0254-7500N	End plate (Ni-Resist)
4	1	0254-7500X	End plate (SilverCast)
5	1	1610-0059	Key
6	2	2112-0003	Viton Seal (Standard)
6	2	2112-0001	Buna-N Seal (Optional)
7	2	2008-0001	Seated Ball Bearing
8	1	2300-0020	Bearing Cover

Ref. No.	Qty. Req'd.	Part Number	Description
9	1	1410-0111	Spacer
10	1	1610-0005	Key
11	1	0750-7500C	Mounting Flange
12	1	2500-0028	Hydraulic Motor
13	1	0524-2500	Coupler
14	3	2210-0004	Bolt
15	2	2210-0063	Bolt
16	2	2250-0082	Nut
17	3	11621	Bolt
18	1	0403-7500P	Rotor (Phenolic)
19	1	1720-0014	O-ring
20	1	0308-7560C	Rotor (Cast Iron) with shaft
20	1	0308-7560N	Rotor (Ni-Resist) with shaft
20	1	0308-7560X	Rotor (SilverCast) with shaft

Repair Parts Kit No. 3430-0381 Consists of: (8) Ref. 3 Super Rollers, (1) Ref. 19 O-Ring and (2) Ref. 6 Viton Seals.

Repair Parts Kit No. 3430-0167 Consists of: (8) Ref. 3 Polypropylene Rollers, (1) Ref. 19 O-Ring and (2) Ref. 6 Viton Seals.

Repair Parts Kit No. 3430-0622 Consists of: (1) Ref. 18 Phenolic Rotor, (1) Ref. 2 Shaft and (1) Ref. 10 Key.

Flange Kit No. 3430-0636 Consists of: (1) Ref. 11 Mounting Flange, (1) Ref. 13 Coupler, (1) Ref. 9 Spacer, (3) Ref. 15 Bolt, (2) Ref. 16 Nut, (2) Ref. 17 Bolt and (1) Ref. 10 Key.

Complete replacement pump assemblies
- 7560C-GM30, p/n 7560C-RX
- 7560N-GM30, p/n 7560N-RX