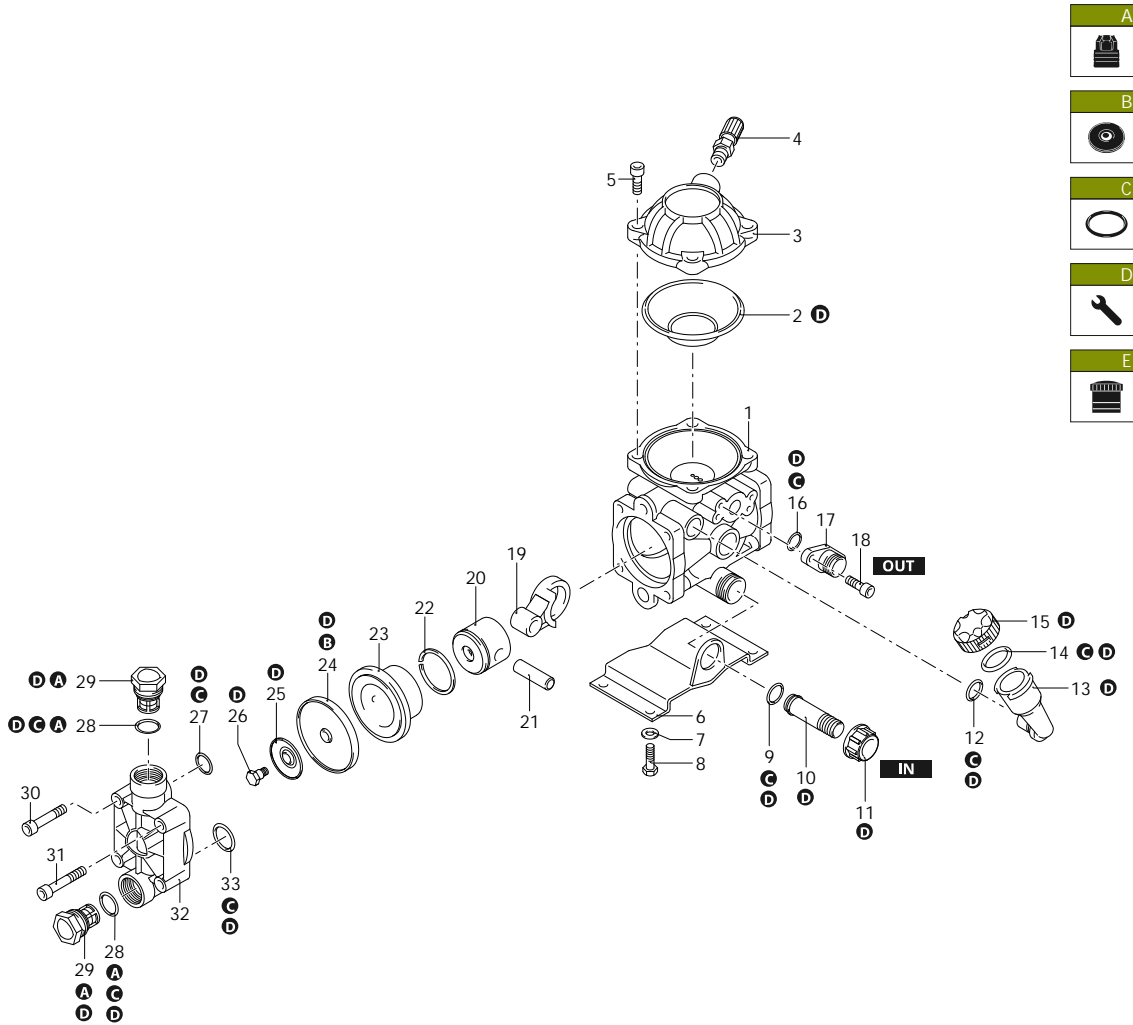




AR 252

158 - 32093 - 159 - 32094



| Code | Description | Q | Note |
|------|-----------------------------|---|----------------------------------|
| 1 | 800010 Pump body | 1 | |
| 1 | 800011 Pump body | 1 | AP model |
| 2 | 800190 Diaphragm | 1 | NBR - Øe 94 |
| 2 | 800191 Diaphragm | 1 | Viton - Øe 94 |
| 3 | 800232 Semi air chamber | 1 | upper |
| 4 | 800650 Air valve | 1 | C=20Nm / Loxeal 83-21 |
| 5 | 540290 Screw | 4 | C=23Nm |
| 6 | 800311 Foot | 1 | |
| 7 | 380241 Washer | 2 | |
| 8 | 180431 Screw | 2 | TE M8x16 |
| 9 | 390180 O-ring | 1 | Ø 18,72x2,62 |
| 10 | 800340 Hose tail | 1 | Ø 20 |
| 11 | 550450 Ring nut | 1 | 3/4" G |
| 12 | 740290 O-ring | 1 | Ø 14x1,78 |
| 13 | 801960 Tank | 1 | |
| 14 | 550040 O-ring | 1 | Ø 26,65x2,62 |
| 15 | 550052 Plug | 1 | black |
| 16 | 480440 O-ring | 1 | Ø 17,13x2,62 |
| 17 | 800692 Flange | 1 | |
| 18 | 880280 Screw | 2 | TCEI M6x18 |
| 19 | 800140 Connecting-rod | 2 | Lubricate with motor oil |
| 20 | 802070 Piston | 2 | Ø 42 |
| 21 | 800130 Pin | 2 | Lubricate with motor oil |
| 22 | 802080 Piston ring | 2 | |
| 23 | 802050 Sleeve | 2 | |
| 23 | 802051 Sleeve | 2 | |
| 24 | 800080 Diaphragm | 2 | NBR - Øe 72 |
| 24 | 800082 Diaphragm | 2 | BlueFlex - Øe 72 |
| 24 | 800081 Diaphragm | 2 | Viton - Øe 72 |
| 24 | 800086 Diaphragm | 2 | HPDS - Øe 72 |
| 24 | 800085 Diaphragm | 2 | Desmopan - Øe 72 |
| 25 | 800350 Plate | 2 | |
| 26 | 800090 Hub pin | 2 | C=20Nm / Lubricate Molykote 1000 |
| 26 | 800091 Hub pin | 2 | C=20Nm / Lubricate Molykote 1000 |
| 27 | 800210 O-ring | 2 | Ø 13,10x2,62 |
| 28 | 880830 O-ring | 4 | Ø 15,54x2,62 |
| 29 | 809060 Complete valve | 4 | |
| 30 | 800220 Screw | 7 | TCEI M8x45 |
| 31 | 680360 Screw | 1 | TCEI M8x50 |
| 32 | 801940 Head | 2 | |
| 33 | 480440 O-ring | 4 | Ø 17,13x2,62 |
| A | 2408 Valve kit | 1 | |
| B | 1927 Maintenance repair kit | 1 | NBR |
| B | 43195 Diaphragms kit | 1 | BlueFlex |
| B | 43196 Diaphragms kit | 1 | Desmopan |
| C | 2409 O-ring kit | 1 | |
| D | 2410 Maintenance repair kit | 1 | NBR |
| E | 42506 Tank kit | 1 | |

AR-2_000132_v01

- AR 252 SP - NBR • 158
- AR 252 SP - BlueFlex • 32093
- AR 252 AP SP - NBR • 159
- AR 252 AP SP - BlueFlex • 32094

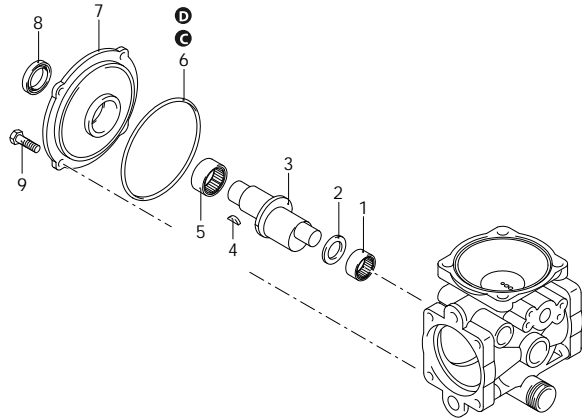


Revision: 1
Date: 07/02/2023



AR 252

158 - 32093 - 159 - 32094



| Code Description | | Q | Note |
|------------------|-----------------------------|---|--------------------------------------|
| 1 | 480370 Bushing | 1 | Lubricate with Mineral Grease |
| 2 | 800160 Spacer | 1 | Lubricate with Mineral Grease |
| 3 | 800171 Shaft | 1 | D marked |
| 4 | 800590 Key | 1 | |
| 5 | 800180 Bushing | 1 | Lubricate with Mineral Grease |
| 6 | 800380 O-ring | 1 | Ø 97x1,6 Lubricate with motor oil |
| 7 | 800020 Flange | 1 | |
| 8 | 800200 Ring | 1 | seal |
| 9 | 320350 Screw | 4 | TE M6x12 C=10Nm |
| A | 2408 Valve kit | 1 | |
| B | 1927 Maintenance repair kit | 1 | NBR |
| B | 43195 Diaphragms kit | 1 | BlueFlex |
| B | 43196 Diaphragms kit | 1 | Desmopan |
| C | 2409 O-ring kit | 1 | |
| D | 2410 Maintenance repair kit | 1 | NBR |

AR-2_000133_v01

AR 252 SP - NBR • 158
 AR 252 SP - BlueFlex • 32093
 AR 252 AP SP - NBR • 159
 AR 252 AP SP - BlueFlex • 32094



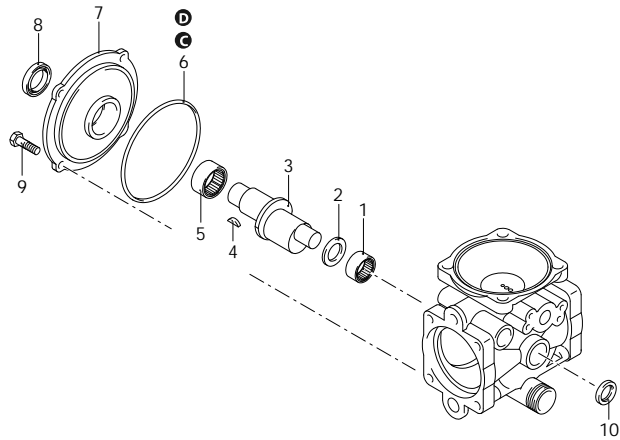
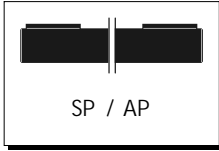
Revision: 1

Date: 07/02/2023



AR 252

158 - 32093 - 159 - 32094



| Code | | Description | Q | Note |
|------|--------|------------------------|---|--------------------------------------|
| 1 | 480370 | Bushing | 1 | Lubricate with Mineral Grease |
| 2 | 800160 | Spacer | 1 | Lubricate with Mineral Grease |
| 3 | 800173 | Shaft | 1 | F marked |
| 4 | 800590 | Key | 1 | |
| 5 | 800180 | Bushing | 1 | Lubricate with Mineral Grease |
| 6 | 800380 | O-ring | 1 | Ø 97x1,6 Lubricate with motor oil |
| 7 | 800020 | Flange | 1 | |
| 8 | 800200 | Ring | 1 | seal |
| 9 | 320350 | Screw | 4 | TE M6x12 C=10Nm |
| 10 | 800960 | Ring | 1 | seal |
| A | 2408 | Valve kit | 1 | |
| B | 1927 | Maintenance repair kit | 1 | NBR |
| B | 43195 | Diaphragms kit | 1 | BlueFlex |
| B | 43196 | Diaphragms kit | 1 | Desmopan |
| C | 2409 | O-ring kit | 1 | |
| D | 2410 | Maintenance repair kit | 1 | NBR |

AR-2_000135_v01

- AR 252 SP - NBR • 158
- AR 252 SP - BlueFlex • 32093
- AR 252 AP SP - NBR • 159
- AR 252 AP SP - BlueFlex • 32094



SAE 30
0,340 Kg

Revision: 1

Date: 07/02/2023