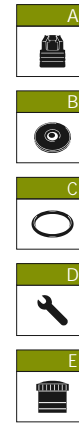
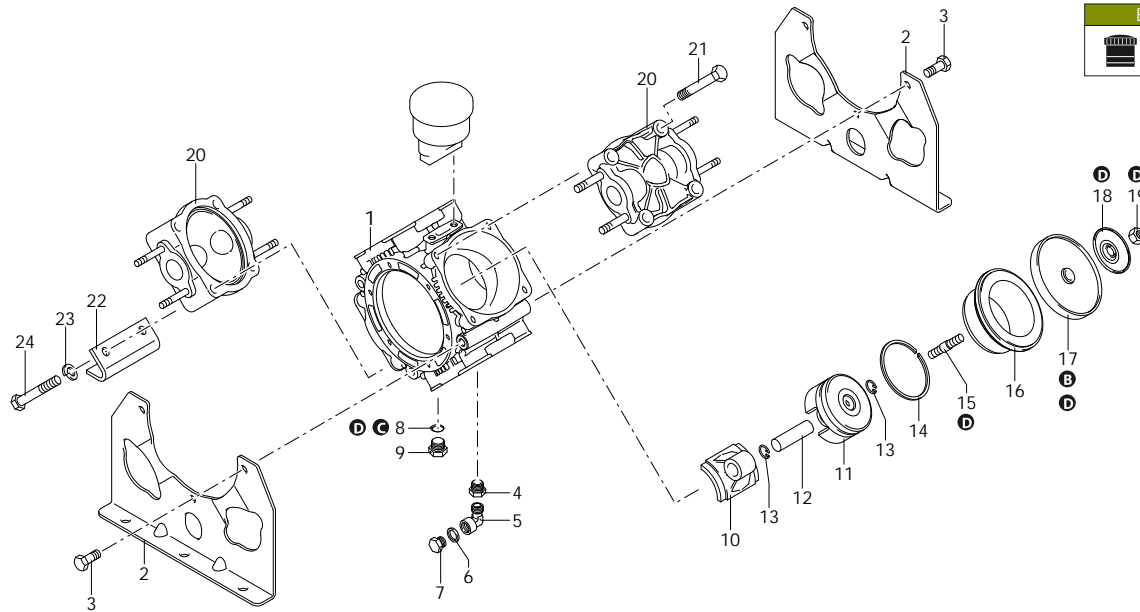
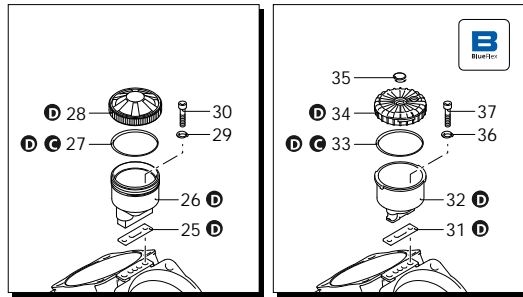




AR 160 BP

1209 - 32034 - 1233 - 32035 - 1228 - 32036



Code	Description	Q	Note
1	761010 Pump body	1	
2	761031 Foot	2	
3	160672 Screw	TE M10x25	6 C=35Nm / Loxeal 55-14
4	1040491 Fitting	3/8" G (M-F)	1 C=20Nm / Loxeal 83-21
5	900210 Fitting	3/8" G (M-F)	1 Loxeal 83-21
6	2260200 Washer		1
7	2281270 Plug	3/8" G	1 C=20Nm / Loxeal 55-14
8	740290 O-ring	Ø 14x1,78	1 Lubricate Molykote PG54
9	880530 Plug	3/8" G	1 C=20Nm
10	760140 Connecting-rod		4 Lubricate with motor oil
11	750122 Piston	Ø 80	4
12	160700 Pin		4 Lubricate with Mineral Grease
13	160691 Ring	seeger Øi 18	8
14	500260 Piston ring		4
15	2240100 Hub pin		4 C=30Nm / Loxeal 83-21
16	750110 Sleeve		4
17	550080 Diaphragm	NBR - Øe 115	4
17	550081 Diaphragm	BlueFlex - Øe 115	4
17	550084 Diaphragm	Viton - Øe 115	4
17	550085 Diaphragm	Desmopan - Øe 115	4
17	550086 Diaphragm	HPDS - Øe 115	4
18	751250 Plate		4
18	751530 Plate	BlueFlex	4
19	2240110 Nut	M10	4 C=25Nm
19	2240670 Nut	M10 / BlueFlex	4 C=25Nm
20	751350 Head	plastic	4
21	750061 Screw	TE M12x65	16 C=60Nm / Lubricate Molykote 1000
22	760201 Foot		2
23	250143 Washer		4
24	750071 Screw	TE M12x70	4 C=50Nm / Lubricate Molykote 1000
25	750040 Gasket		1 Seal with Arexons Mastic
26	750030 Tank		1
27	1040060 O-ring	Ø 72,69x2,62	1 Lubricate Molykote Longterm W2
28	1800060 Plug	black	1
29	380243 Washer		2
30	680350 Screw	TCEI M8x35	2 C=10Nm
31	750040 Gasket		1 Seal with Arexons Mastic
32	751170 Tank		1
33	1980340 O-ring	Ø 83,8x2,62	1
34	751180 Plug	black	1
35	751780 Plug		1
36	380243 Washer		2
37	680350 Screw	TCEI M8x35	2 C=10Nm
A	2374 Valve kit		1
B	2371 Diaphragms kit	NBR	1
B	43086 Diaphragms kit	BlueFlex	1
B	2373 Diaphragms kit	Desmopan	1
B	2372 Diaphragms kit	HPDS	1

AR-2_000039_v01

- AR 160 BP AP C/C - NBR • 1209
- AR 160 BP AP C/C - BlueFlex • 32034
- AR 160 BP AP C/F Ø 25 - NBR • 1233
- AR 160 BP AP C/F Ø 25 - BlueFlex • 32035
- AR 160 BP AP C/F Ø 32 - NBR • 1228
- AR 160 BP AP C/F Ø 32 - BlueFlex • 32036

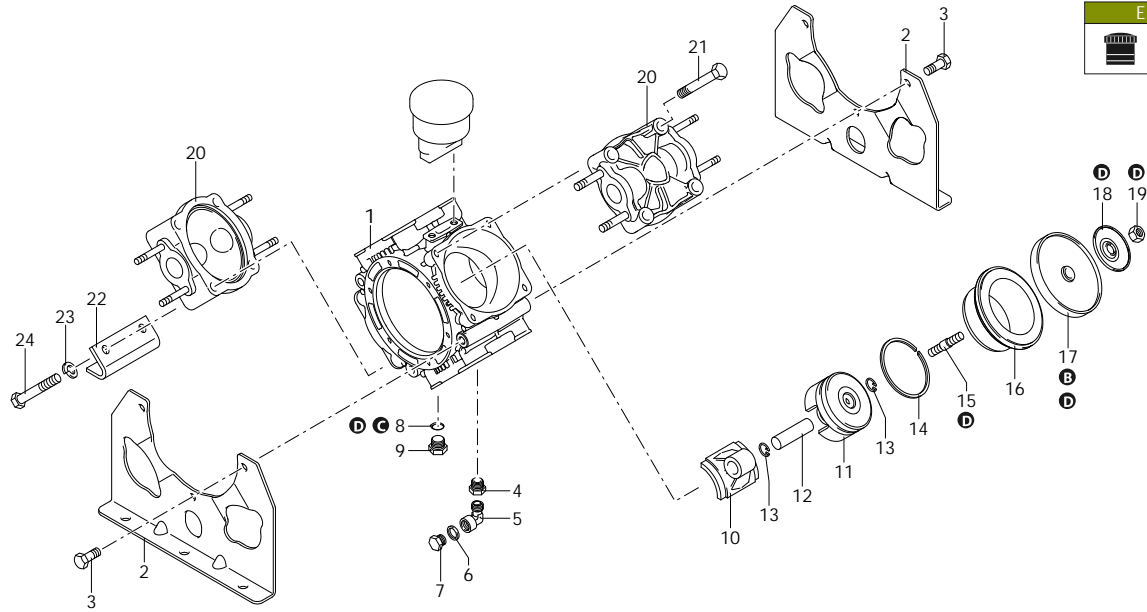
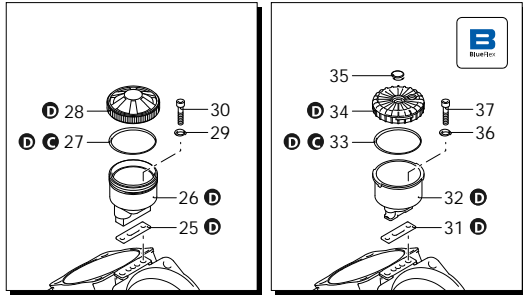


Revision: 1
Date: 07/02/2023



AR 160 BP

1209 - 32034 - 1233 - 32035 - 1228 - 32036



Code	Description	Q	Note
C	42510 O-ring kit	1	
D	42511 Maintenance repair kit	1	NBR
D	47218 Maintenance repair kit	1	BlueFlex
E	47207 Tank kit	1	
E	47208 Tank kit	1	

AR-2_000039_v01

- AR 160 BP AP C/C - NBR • 1209
- AR 160 BP AP C/C - BlueFlex • 32034
- AR 160 BP AP C/F Ø 25 - NBR • 1233
- AR 160 BP AP C/F Ø 25 - BlueFlex • 32035
- AR 160 BP AP C/F Ø 32 - NBR • 1228
- AR 160 BP AP C/F Ø 32 - BlueFlex • 32036



SAE 30
1,400 Kg

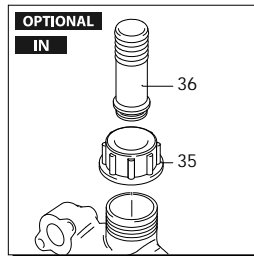
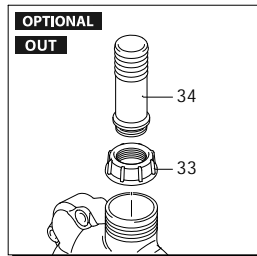
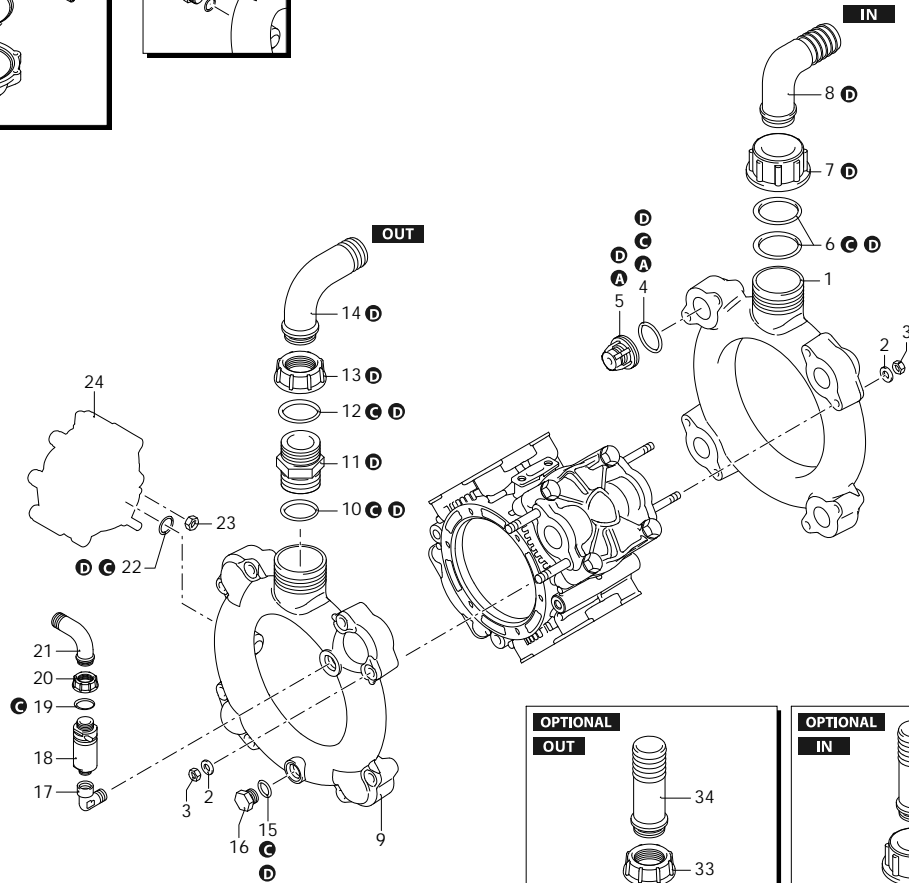
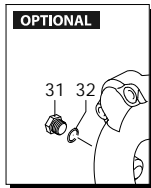
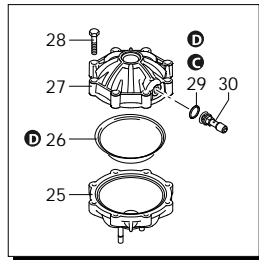
Revision: 1

Date: 07/02/2023



AR 160 BP

1209 - 32034 - 1233 - 32035 - 1228 - 32036



Code	Description	Q	Note
1	760750 Line	intake	1
2	380243 Washer		16
3	380242 Nut	M8	16 C=20Nm / Lubricate Molykote 1000
4	680070 O-ring	Ø 31,5x4,25	8 Lubricate with motor oil
5	759054 Valve		8
6	3040470 O-ring	Ø 39,3x2,62	2 Lubricate with motor oil
7	3040450 Ring nut	2" G	1
8	3040430 Elbow	Ø 40	1
9	760760 Line	delivery	1
10	751140 O-ring	Ø 47,22x3,53	1 Lubricate with motor oil
11	751130 Fitting	1"1/2 G (M-M)	1 C=10Nm
12	390290 O-ring	Ø 29x3	1 Lubricate Molykote PG54
13	750670 Ring nut	1" 1/2 G	1
14	760930 Elbow	Ø 25	1
15	180101 O-ring	Ø 17,5x2	1 Lubricate with motor oil
16	330173 Plug	1/2" G	1 C=20Nm / Loxeal 55-14
17	881560 Fitting	1/2" G (M-F)	1 C=20Nm / Loxeal 83-21
18	1609000 Safety valve	20 bar	1 Loxeal 24-18
19	880831 O-ring	Ø 15,54x2,62 Viton	1 Lubricate Molykote G-807
20	550450 Ring nut	3/4" G	1
21	550460 Elbow	Ø 18	1
22	390290 O-ring	Ø 29x3	1 Lubricate Molykote PG54
23	380242 Nut	M8	2 C=20Nm / Lubricate Molykote 1000
24	629230 Air chamber	BlueFlex	1
24	629216 Air chamber	NBR	1
25	680180 Semi air chamber	lower	1
26	550190 Diaphragm	NBR - Øe 110	1
26	550194 Diaphragm	BlueFlex - Øe 110	1
26	550192 Diaphragm	Viton - Øe 110	1
27	620232 Semi air chamber	upper	1
28	621781 Screw	TE M8x40	1 C=20Nm / Lubricate Molykote 1000
29	650542 Gasket		1 Lubricate with motor oil
30	180020 Air valve		1 C=3Nm / Loxeal 55-14
31	880530 Plug	3/8" G	1 C=20Nm
32	740290 O-ring	Ø 14x1,78	1 Lubricate Molykote PG54
33	750670 Ring nut	1" 1/2 G	1
34	760920 Hose tail	Ø 25	1
35	3040450 Ring nut	2" G	1
36	760950 Hose tail	Ø 40	1
A	2374 Valve kit		1
B	2371 Diaphragms kit	NBR	1
B	43086 Diaphragms kit	BlueFlex	1
B	2373 Diaphragms kit	Desmopan	1
B	2372 Diaphragms kit	HPDS	1
C	42510 O-ring kit		1
D	42511 Maintenance repair kit	NBR	1
D	47218 Maintenance repair kit	BlueFlex	1

AR-2_000040_v01

- AR 160 BP AP C/C - NBR • 1209
- AR 160 BP AP C/C - BlueFlex • 32034
- AR 160 BP AP C/F Ø 25 - NBR • 1233
- AR 160 BP AP C/F Ø 25 - BlueFlex • 32035
- AR 160 BP AP C/F Ø 32 - NBR • 1228
- AR 160 BP AP C/F Ø 32 - BlueFlex • 32036



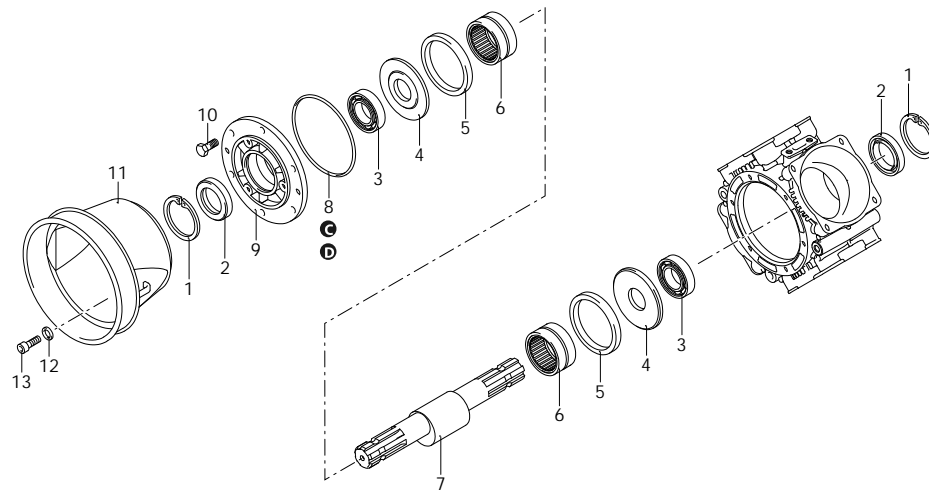
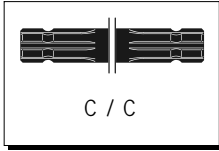
Revision: 1

Date: 07/02/2023



AR 160 BP

1209 - 32034 - 1233 - 32035 - 1228 - 32036



Code	Description		Q	Note
1	200390 Ring	seeger Øi 62	2	
2	751990 Ring	seal	2	Lubricate with Mineral Grease
3	230350 Bearing		2	Press Mount
4	540040 Plate		2	Lubricate with motor oil
5	750130 Ring		2	Lubricate with motor oil
6	750090 Bearing		2	
7	750170 Shaft	AU marked	1	
8	851360 O-ring	Ø 120,32x2,62	1	Lubricate Molykote Longterm W2
9	680020 Support		1	Lubricate with Mineral Grease
10	751130 Fitting	1"1/2 G (M-M)	6	C=10Nm
11	1500470 Cardan protection	ø 239 mm	1	
12	390314 Washer		3	
13	850251 Screw	TCEI M8x12	3	C=10Nm
A	2374 Valve kit		1	
B	2371 Diaphragms kit	NBR	1	
B	43086 Diaphragms kit	BlueFlex	1	
B	2373 Diaphragms kit	Desmopan	1	
B	2372 Diaphragms kit	HPDS	1	
C	42510 O-ring kit		1	
D	42511 Maintenance repair kit	NBR	1	
D	47218 Maintenance repair kit	BlueFlex	1	

AR-2_000041_v01

- AR 160 BP AP C/C - NBR • 1209
- AR 160 BP AP C/C - BlueFlex • 32034
- AR 160 BP AP C/F Ø 25 - NBR • 1233
- AR 160 BP AP C/F Ø 25 - BlueFlex • 32035
- AR 160 BP AP C/F Ø 32 - NBR • 1228
- AR 160 BP AP C/F Ø 32 - BlueFlex • 32036



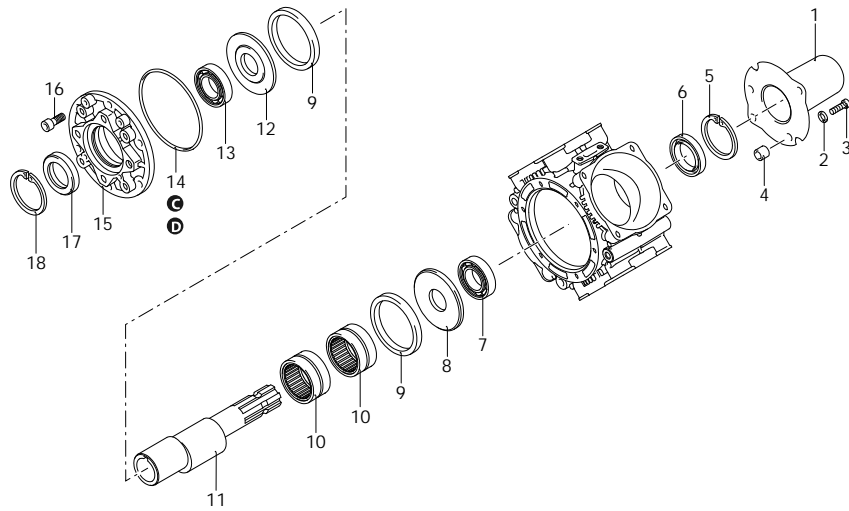
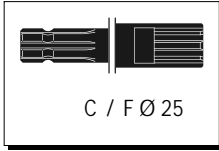
Revision: 1

Date: 07/02/2023



AR 160 BP

1209 - 32034 - 1233 - 32035 - 1228 - 32036



Code	Description	Q	Note
1	760360 Guard	1	
2	320621 Washer	3	
3	650640 Screw	3	TCEI M10x25 C=50Nm
4	1300280 Spacer	3	
5	200390 Ring	1	seeger Øi 62
6	751990 Ring	1	seal Lubricate with Mineral Grease
7	230350 Bearing	1	Press Mount
8	540040 Plate	1	Lubricate with motor oil
9	750130 Ring	2	Lubricate with motor oil
10	750090 Bearing	2	
11	760450 Shaft	1	BX marked
12	760510 Plate	1	Lubricate with motor oil
13	230310 Bearing	1	Press Mount
14	851360 O-ring	1	Ø 120,32x2,62 Lubricate Molykote Longterm W2
15	2420181 Support	1	Lubricate with Mineral Grease
16	650640 Screw	6	TCEI M10x25 C=50Nm
17	1800090 Ring	1	seal Lubricate with Mineral Grease
18	620330 Ring	1	seeger Øi 65
A	2374 Valve kit	1	
B	2371 Diaphragms kit	1	NBR
B	43086 Diaphragms kit	1	BlueFlex
B	2373 Diaphragms kit	1	Desmopan
B	2372 Diaphragms kit	1	HPDS
C	42510 O-ring kit	1	
D	42511 Maintenance repair kit	1	NBR
D	47218 Maintenance repair kit	1	BlueFlex

AR-2_000042_v01

- AR 160 BP AP C/C - NBR • 1209
- AR 160 BP AP C/C - BlueFlex • 32034
- AR 160 BP AP C/F Ø 25 - NBR • 1233
- AR 160 BP AP C/F Ø 25 - BlueFlex • 32035
- AR 160 BP AP C/F Ø 32 - NBR • 1228
- AR 160 BP AP C/F Ø 32 - BlueFlex • 32036



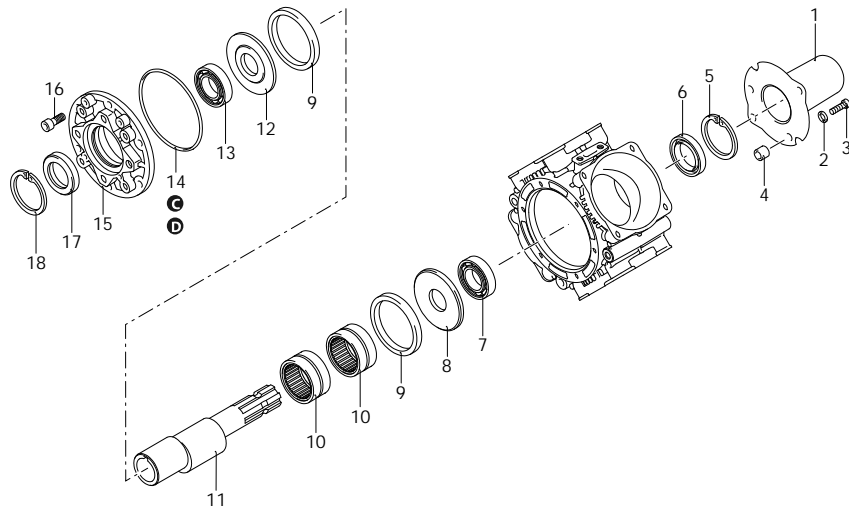
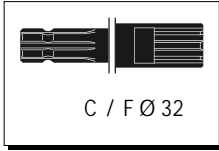
Revision: 1

Date: 07/02/2023



AR 160 BP

1209 - 32034 - 1233 - 32035 - 1228 - 32036



Code	Description	Q	Note
1	760360 Guard	1	
2	320621 Washer	3	
3	650640 Screw	3	C=50Nm
4	1300280 Spacer	3	
5	200390 Ring	1	seeger Øi 62
6	751990 Ring	1	seal
7	230350 Bearing	1	Press Mount
8	540040 Plate	1	Lubricate with motor oil
9	750130 Ring	2	Lubricate with motor oil
10	750090 Bearing	2	
11	760520 Shaft	1	BS marked
12	760510 Plate	1	Lubricate with motor oil
13	230310 Bearing	1	Press Mount
14	851360 O-ring	1	Ø 120,32x2,62
15	2420181 Support	1	Lubricate with Mineral Grease
16	650640 Screw	6	C=50Nm
17	1800090 Ring	1	seal
18	620330 Ring	1	seeger Øi 65
A	2374 Valve kit	1	
B	2371 Diaphragms kit	1	NBR
B	43086 Diaphragms kit	1	BlueFlex
B	2373 Diaphragms kit	1	Desmopan
B	2372 Diaphragms kit	1	HPDS
C	42510 O-ring kit	1	
D	42511 Maintenance repair kit	1	NBR
D	47218 Maintenance repair kit	1	BlueFlex

AR-2_000043_v01

- AR 160 BP AP C/C - NBR • 1209
- AR 160 BP AP C/C - BlueFlex • 32034
- AR 160 BP AP C/F Ø 25 - NBR • 1233
- AR 160 BP AP C/F Ø 25 - BlueFlex • 32035
- AR 160 BP AP C/F Ø 32 - NBR • 1228
- AR 160 BP AP C/F Ø 32 - BlueFlex • 32036



Revision: 1

Date: 07/02/2023