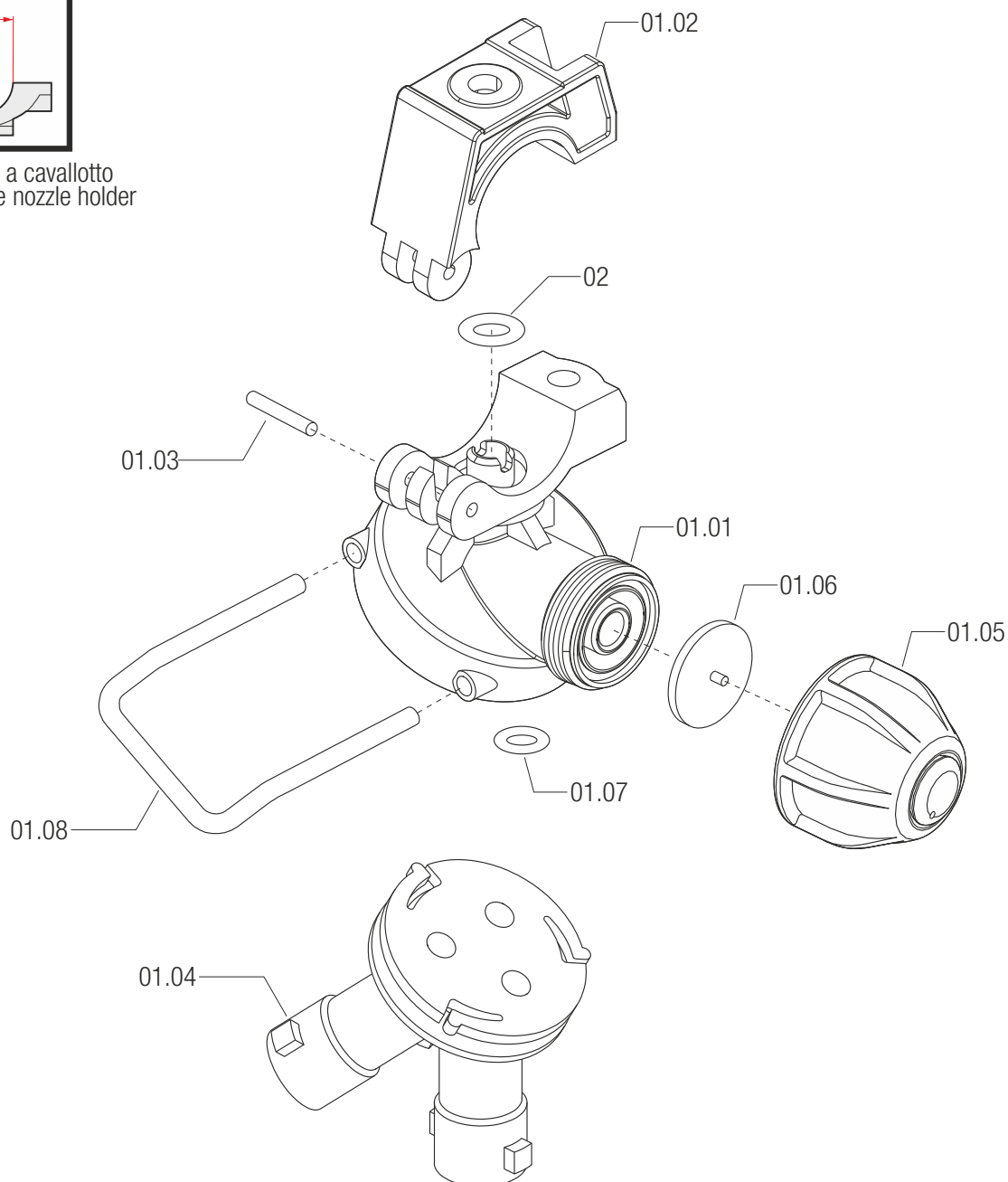


Portagetto a cavalletto
Clamp type nozzle holder



REFERENCE	CODE	DESCRIPTION
01.01	4012737.010	TRIJET BODY WITH JOINT D1/2 F7
01.02	400535.020	SWIVEL FLAT CLAMP D.1/2"
01.03	400530.040	CLAMP PIN
01.04	4012200.020	3-WAY NOZZLE HOLDER AMER.COUPLING
01.05	402012.101	GREEN CHECK VALVE 0,5B BLACK PLUNG.

REFERENCE	CODE	DESCRIPTION
01.06	005865.036	ANTI-DRIP DIAPHRAGM VITON
01.07	403000.050V	OR 2,40X7,30 VITON
01.08	401000.080	TRI-GET FORK
02	400020.030	GASKET (OR) 6X2,5 X NOZZLE HOLDER